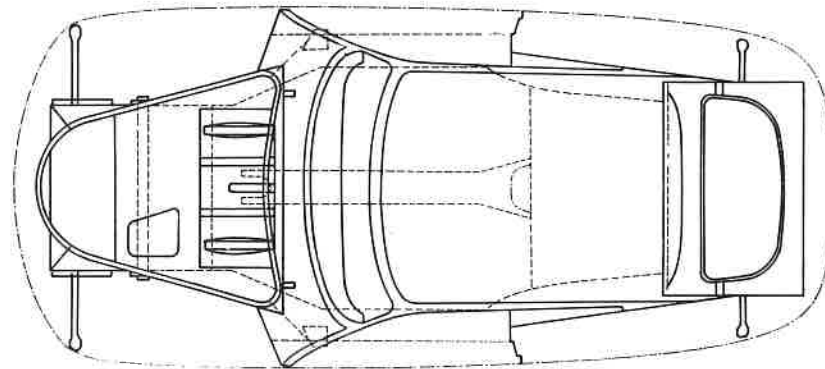
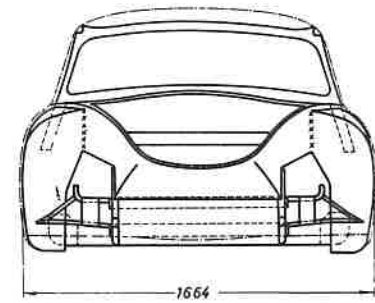
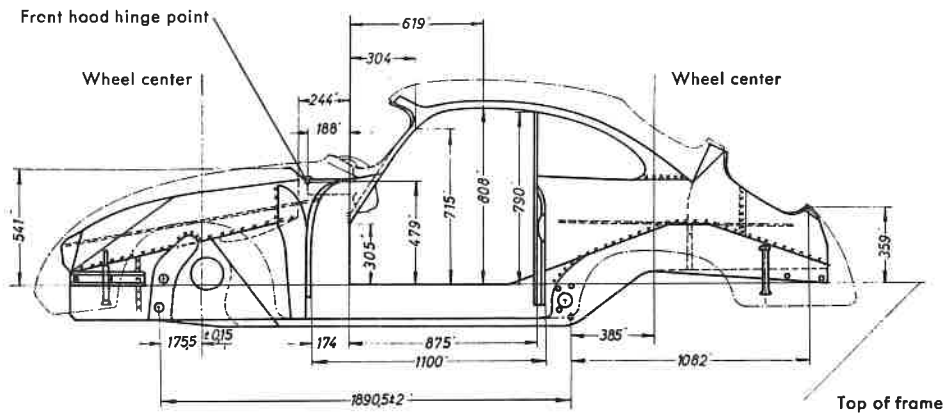
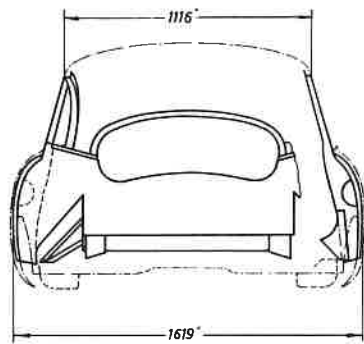


**Body Work Dimensions for Coupe**

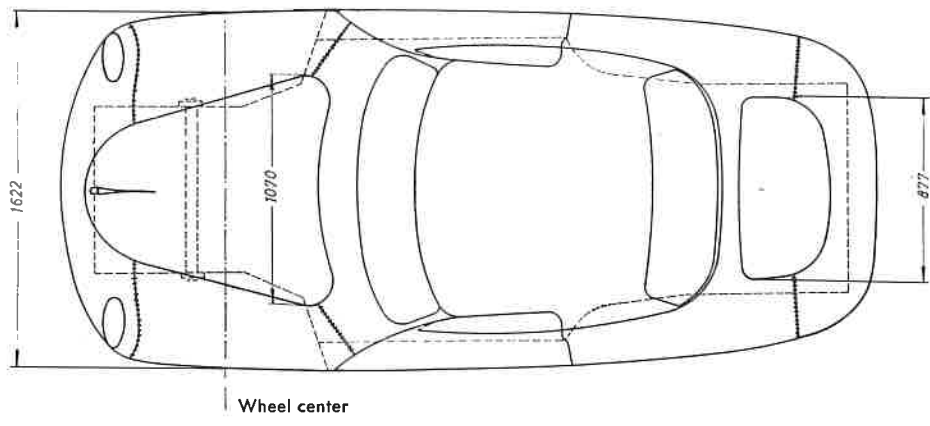
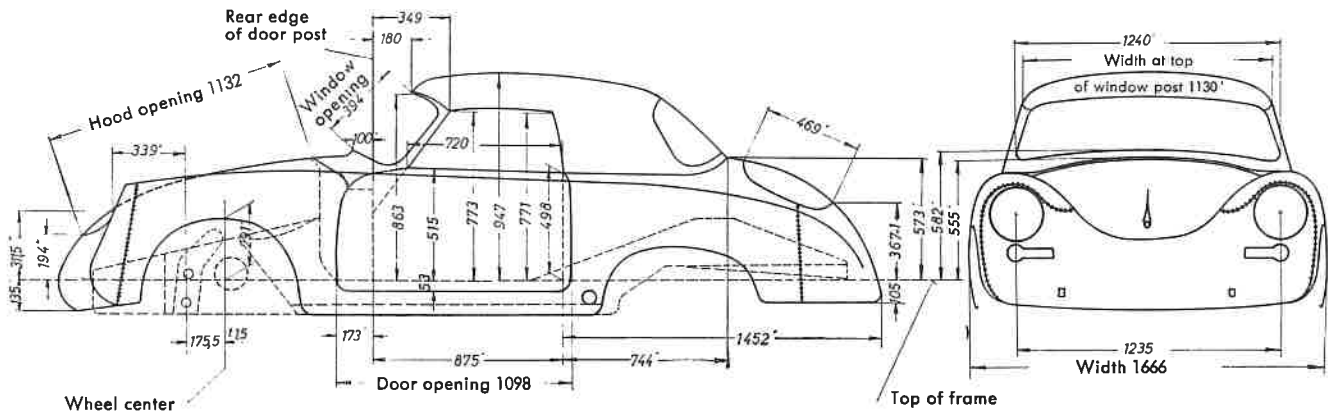
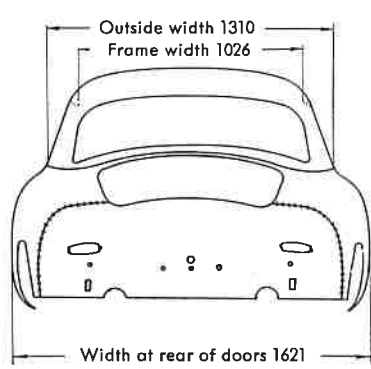
Dimensions in mm



++++++ Welded seam  
 xxxxxx Spot welding

**Body Work Dimensions for Interior of Coupe**

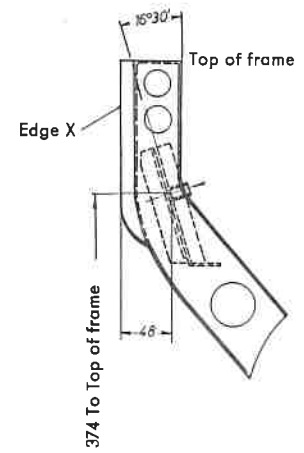
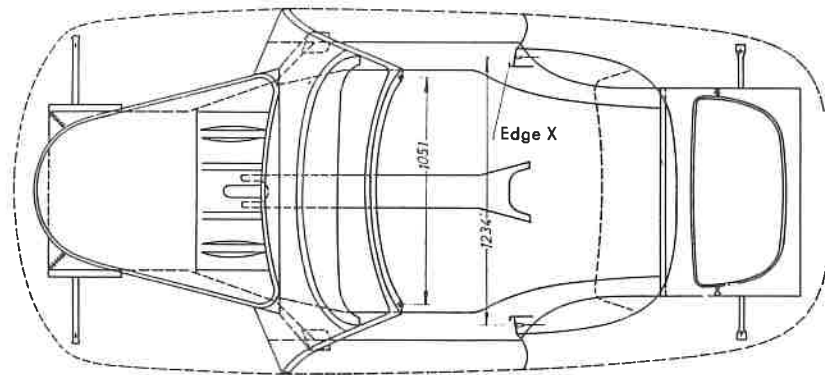
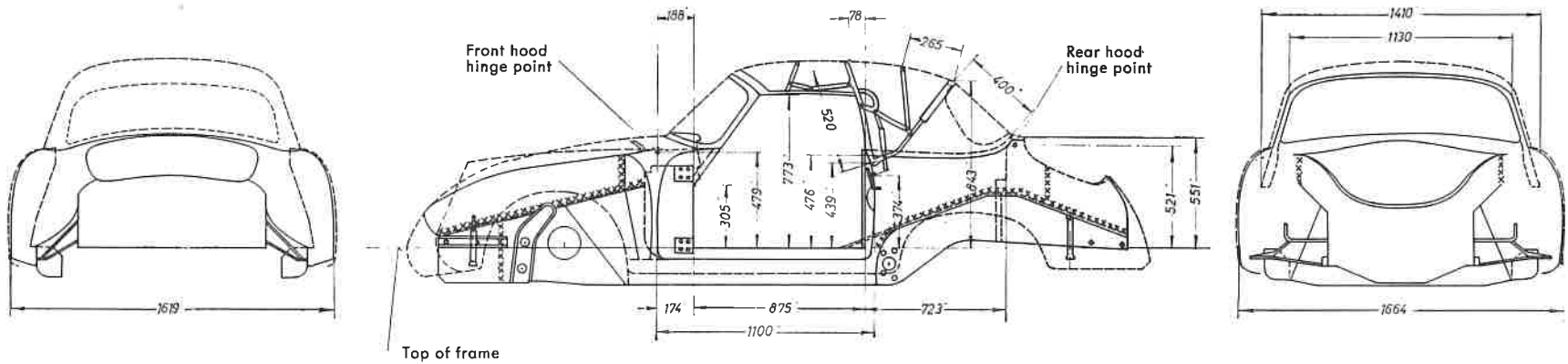
Dimensions in mm



----- Welded seam

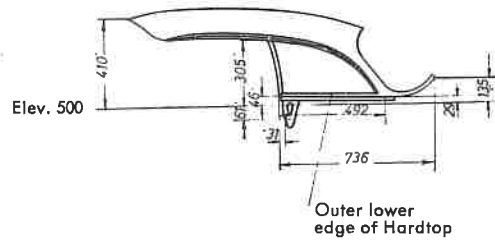
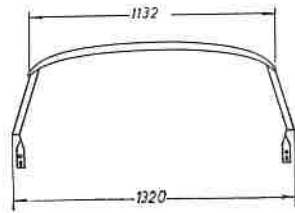
**Body Work Dimensions for Cabriolet/Hardtop**

Dimensions in mm

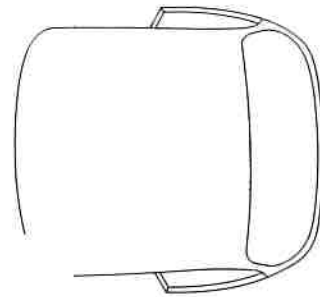
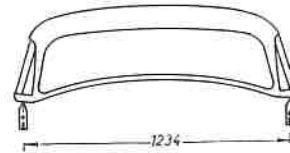


**Body Work Dimensions for Interior of Cabriolet/Hardtop**

Dimensions in mm

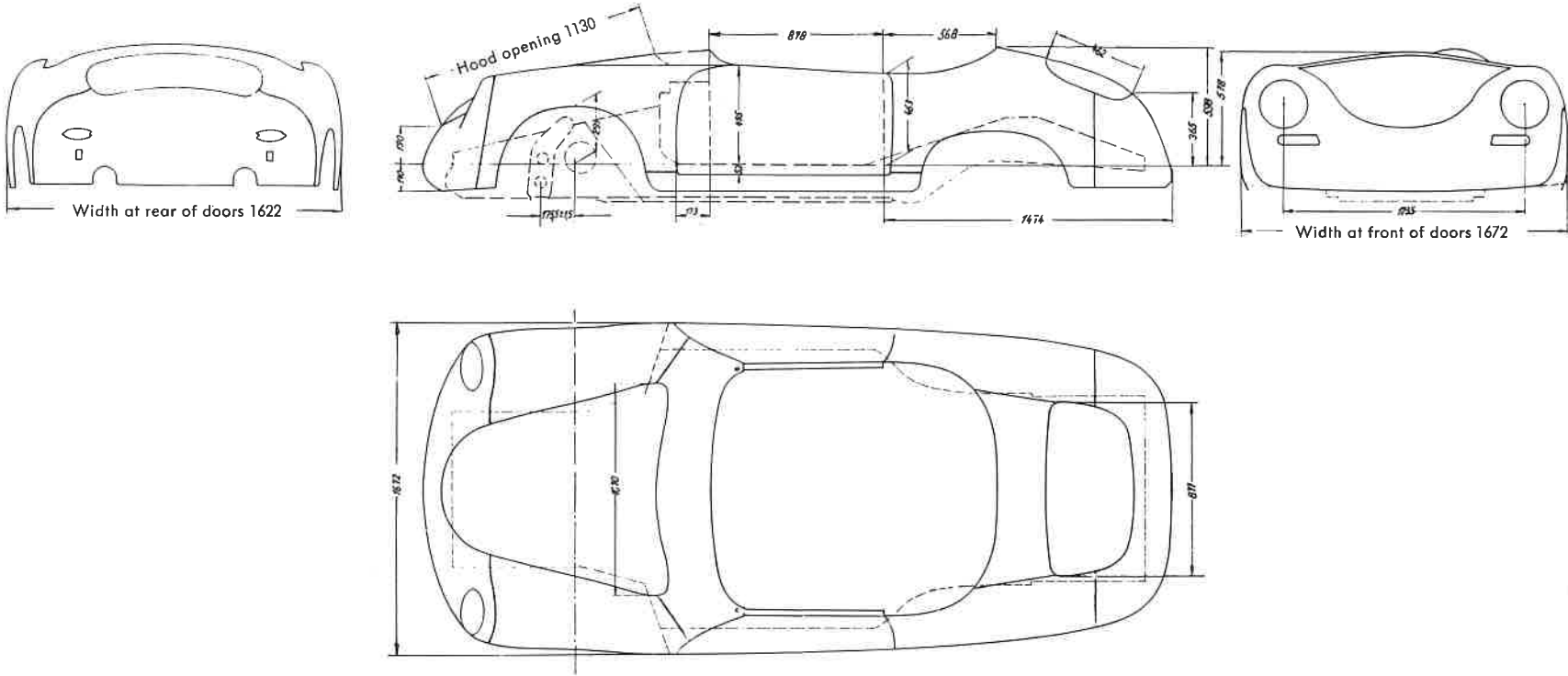


Outer lower edge of Hardtop



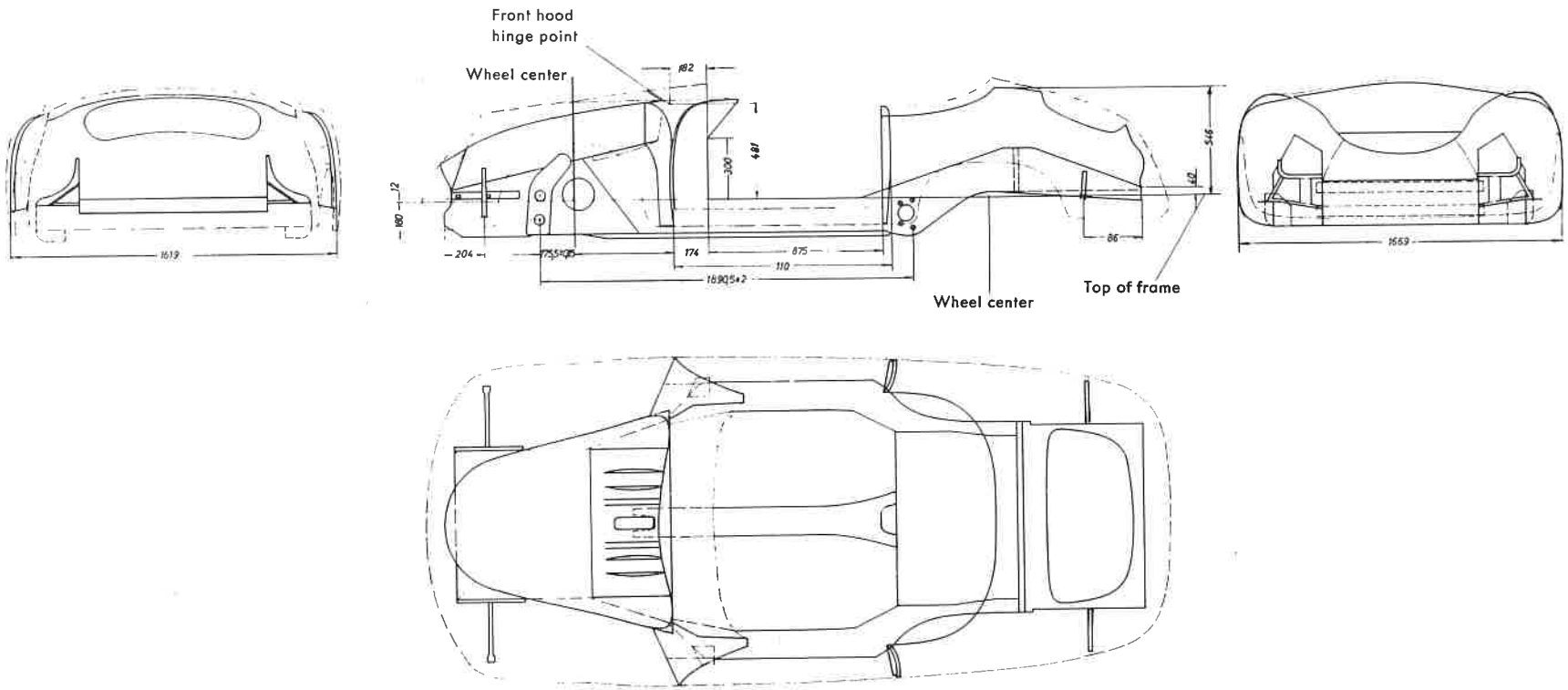
**Dimensions of Hardtop**

Dimensions in mm



Body Work Dimensions for Roadster

Dimensions in mm



**Body Work Dimensions for Interior of Roadster**

Dimensions in mm