

# Restoration DESIGN INC



www.restoration-design.com

- Hundreds of items ready to ship.
- Express shipping available.
- Use your Visa, Master Card
- Send orders by phone, FAX, mail, or the web.

24 Hayes Ave., Guelph, Ontario N1E 5V5, Canada • 519-836-3555 • FAX 519-836-3577

Updated 2/13/2012



**\$325.00**

**PACKAGE A** 356 FLOOR PAN WITH SEAT AND TOE MOUNTS



**\$495.00**

**PACKAGE B** PACKAGE "A" PLUS 2 LONGITUDINALS AND 2 JACK RECEIVERS



**\$280.00**

**PACKAGE D** 911/912 SUSPENSION PAN & GAS TANK SUPPORT, 2 x P201C SUSPENSION REINFORCEMENTS



**\$200.00**

**PACKAGE E** 911/912 OUTER & INNER ROCKER PANELS PLUS JACKPLATE & JACK TUBE

Pkg. G LH



**\$155.00**

Pkg. G RH



**PACKAGE G (L or R)** 914 INNER ROCKER PLUS JACKPLATE & TUBE

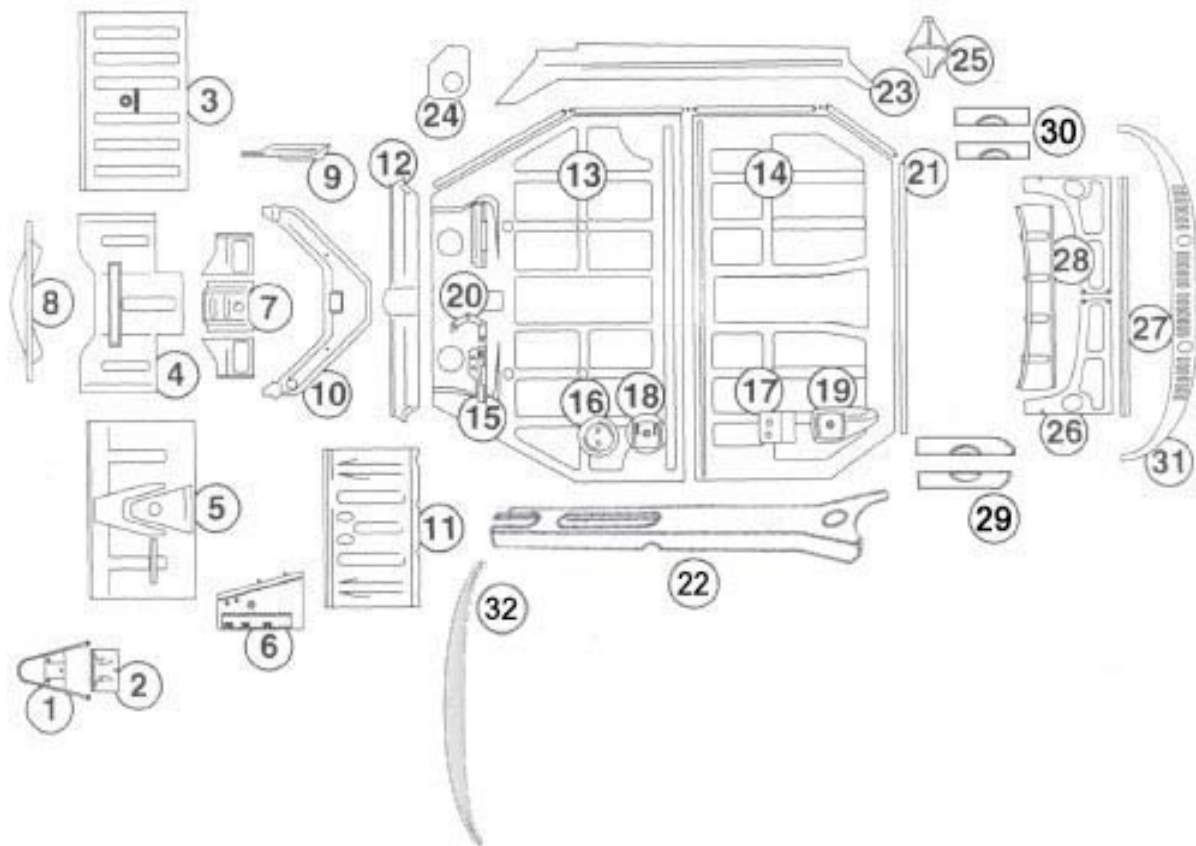


**\$280.00**

**PACKAGE H** 914 REAR FLOOR PAN, 2 SEAT MOUNT REINFORCEMENTS, 4 SEAT HINGE BRACKETS, 4 SEAT HINGES

# Direct from Restoration Design, the finest 356 panels

## (Chassis)



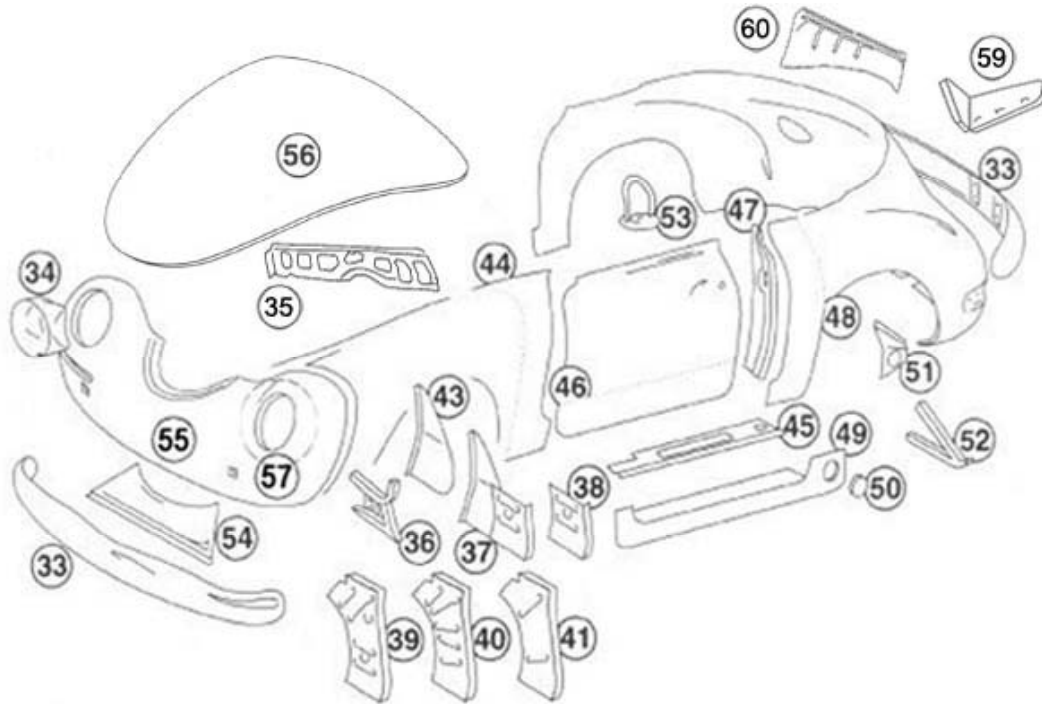
Key	Part #	Description	Price
1	P102B	Tow hook 356A - 356C	\$18.00
2	P102C	Tow hook plate 356A - 356B T5	9.75
	P102D	Tow hook plate 356B - T6 - 356C	8.00
	P102E	Tow hook rivets	2.00
3	P100A	Battery box floor 356 (1950-55)	94.00
4	P100	Battery box floor (with center brace) 356A	87.00
	P101	Battery box floor (with center brace) 356B T5	78.00
	P101A	Center brace for T2/T5 battery floor	25.00
5	P102	Battery box floor (with bracket) 356B T6-356C	62.00
	P102A	Battery floor bracket 356 T6	19.00
6	P138L	Battery box side, left 356 (1950-55)	60.00
	P138R	Battery box side, right 356 (1950-55)	60.00
	P139L	Battery box side, left 356A	46.00
	P139R	Battery box side, right 356A	46.00
	P140L	Battery box side, left 356B T5	58.00
	P140R	Battery box side, right 356B T5	58.00
	P141L	Battery box side, left 356B T6-356C	80.00
	P141R	Battery box side, right 356B T6-356C	80.00
	P141AL	Battery box side, left with heater bubble T6	157.00
7	P114	Battery box rear wall 356, 2 piece (1950-55)	89.00
	P114A	Battery box rear wall, 3 piece A (1956-59)	148.00
	P114B	Battery box rear wall, 3 piece B T5 (1960-61)	145.00
	P114C	Battery box rear wall, 2 piece B T6	150.00
	P114D	Battery box rear wall, 2 piece C T6	149.00
8	P182	Battery compartment wall, front 356A	141.00
	P180	Battery compartment wall, front 356B T5	142.00
	P181	Battery compartment wall, front 356BC T6	125.00
9	P103L	Frame strut, left (inner & outer) 356A - 356C	37.00
	P103R	Frame strut, right (inner & outer) 356A - 356C	37.00
10	P112A	Diagonal member 356 (1950-55)	62.00
	P112	Diagonal member 356A - 356C	62.00
11	P113	Gas tank floor 356A - 356B T5	275.00
	P113A	Gas tank floor, 356 T1 1956-57	290.00
	P113B	Gas tank floor, 356 T2- T5 1958-61	275.00
	P158	Replacement Vin# panel, T1-T5	350.00

12	P115	Front pedal area 356 - 356C	147.00
13	P118	Front half floor pan 356 - 356C	125.00
	P118PA	Front half floor pan 356 Pre A	340.00
14	P119	Rear half floor pan 356 - 356C	119.00
	P119PA	Rear half floor pan 356 Pre A	340.00
	P119AL	Rear seat bottom left	149.00
	P119AR	Rear seat bottom right	149.00
	P119BL	Rear seat bottom left, A car	149.00
	P119BR	Rear seat bottom right, A car	149.00
15	P120L	Toeboard mount, pair 356 - 356C, left	10.00
	P120R	Toeboard mount, pair 356 - 356C, right	8.00
16	P121	Front seat mount, pair 356 - 356B T5	24.00
17	P122	Rear seat mount, pair 356 - 356B T5	24.00
18	P123	Front seat mount, pair 356B - T6-356C	24.00
19	P124L	Rear seat mount, pair 356B - T6-356C, left	27.50
	P124R	Rear seat mount, pair 356B - T6-356C, right	27.50
20	P142	Pedal support bracket 356B - 356C	28.00
	P147L	Pedal board support left	51.50
	P147R	Pedal board support right	49.00
	P143	Inner longitudinal member	35.00
21	P129	Floor perimeter angle kit for floor pan installation	25.00
22	P127PA	Shifter tunnel for Pre "A" cars	995.00
	P127T1	Shifter tunnel for "A" cars. 1956-57	995.00
	P127T2	Shifter tunnel for "A" cars. 1958-59	995.00
23	P108L	Longitudinal member, left 356 - 356C	57.00
	P108R	Longitudinal member, right 356 - 356C	57.00
24	P109L	Longitudinal support, LR/RF 356 - 356B T5	20.00*
	P109R	Longitudinal support, LF/RR 356 - 356B T5	20.00*
	P109AL	Longitudinal support, LR/RF 356BT6 - 356C	20.00**
	P109AR	Longitudinal support, LF/RR 356BT6 - 356C	20.00**
<b>Longitudinal supports:</b>			
* Pre-A and A cars require 3 supports per side. Order (3) P109L and (3) P109R.			
* BT5 cars require 2 supports per side. Order (2) P109L and (2) P109R			
** BT6 and C cars require 2 supports per side. Order (2) P109AL and (2) P109AR.			
25	P135	Jack receiver 356A - 356B T6 with flange	44.00
	P136	Jack receiver 356C without flange	41.00
26	P137	Engine shelf, 2 pieces 356 - 356C	85.00
27	P178	Engine shelf support rail - 38" trim to fit	15.00
28	P179	Heat shield under engine shelf	44.00
29	P183RI	Rear frame repair panel, inner right	90.00
	P183RO	Rear frame repair panel, outer right	90.00
30	P183LI	Rear frame repair panel, inner left	90.00
	P183LO	Rear frame repair panel, outer left	90.00
31	P165	Carrera rear valance 356B - 356C	425.00
	P149	Engine bay channel (Straight channel in which the rubber seal slides in. Bend accordingly)	21.00
32	P160	Steel Dash 356 A,B,C No hole for cabriolet light	375.00
	P152LT1	Heel panel left, Pre A car (1950-55) T1	call
	P152RT1	Heel panel Right, Pre A car (1950-55) T1	call
	P152T5T6	Heel panel, T5-T6	call

**To order call 519-836-3555 or 519-836-2952  
or order online at [www.restoration-design.com](http://www.restoration-design.com)**

# Direct from Restoration Design, the finest 356 panels

## (Exterior)

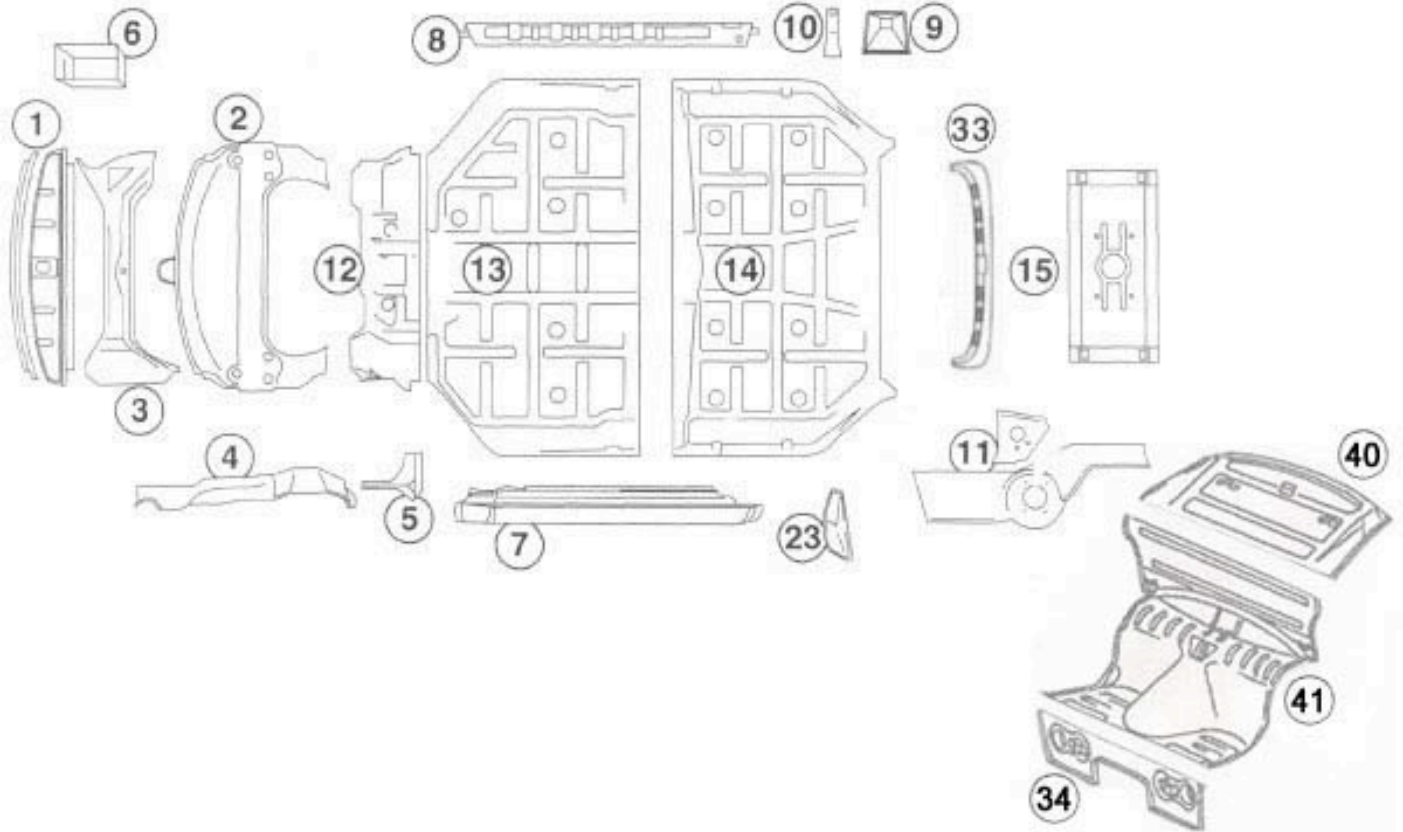


Key	Part #	Description	Price
33	P125	Front bumper 356 - 356A (1952 - 59)	\$475.00
	P125A	Front bumper bracket 356 - 356A (1952 - 59) 4 per bumper	36.00
	P125PA	Front bumper 356 Pre A (1950 - 52)	1700.00
	P126	Rear bumper 356 - 356A (1952 - 59)	475.00
	P126A	Rear bumper bracket 356 - 356A (1952 - 59) 4 per bumper	36.00
	P126PA	Rear bumper 356 Pre A (1950 - 52)	1700.00
	P145	Front bumper 356B - 356C	659.00
	P145A	Front bumper bracket BT5-C	call
	P146	Rear bumper 356B - 356C	659.00
	P146A	Rear bumper bracket BT5-C	call
	P1255	Non welded front bumper 356 - 356A (1952 - 59) brackets included	350.00
	P1266	Non welded rear bumper 356 - 356A (1952 - 59) brackets included	350.00
34	P186	Fog light bracket	25.00
	P150	Headlight bucket 356 - 356C	95.00
35	P148L	Upper trunk panel, left. For "A" cars	450.00
	P148R	Upper trunk panel, right. For "A" cars	450.00
	P148PAL	Upper Trunk panel Pre-A car 1950-52, left	550.00
	P148PAR	Upper Trunk panel Pre-A car 1950-52, right	550.00
	P148T5BL	Upper trunk panel BT5, left	call
	P148T5BR	Upper trunk panel BT5, right	call
	P148T6CL	Upper trunk panel BT6-C, left	call
	P148T6CR	Upper trunk panel BT6-C, right	call
36	P130L	Front fender brace, left 356 - 356A	64.00
	P130R	Front fender brace, right 356 - 356A	64.00
	P131L	Front fender brace, left 356BT5	58.00
	P131R	Front fender brace, right 356B T5	58.00
	P132L	Front fender brace, left 356B T6-356C	52.00
	P132R	Front fender brace, right 356B T6-356C	52.00
	P106L	Front lower half wheel well, left 356 - 356C	101.00
37	P106R	Front lower half wheel well, right 356 - 356C	101.00
	P106AL	Front lower half outer wheel well, left 356 - 356C	50.00
38	P106AR	Front lower half outer wheel well, right 356 - 356C	50.00
	P106BL	Front complete outer wheel well, left 1958 - 65 (4 rib version)	103.00
39	P106BR	Front complete outer wheel well, right 1958 - 65 (4 rib version)	103.00

40	P106CL	Front complete outer wheel well, left 1956 - 57 (5 rib version)	190.00
	P106CR	Front complete outer wheel well, right 1956 - 57 (5 rib version)	190.00
41	P106DL	Front complete outer wheel well, left 1951 - 55 (2 rib version)	150.00
	P106DR	Front complete outer wheel well, right 1951 - 55 (2 rib version)	150.00
43	P106F	Front inner wheel well, left or right 356 - 356C	11.50
44	P104L	Rear of front fender, left 356 - 356C	52.00
	P104R	Rear of front fender, right 356 - 356C	52.00
45	P110L	Door bottom, left 356 - 356C	47.00
	P110R	Door bottom, right 356 - 356C	47.00
	P110CL	Door bottom 356 BT6-C left	call
	P110CR	Door bottom 356 BT6-C right	call
46	P111L	Lower 5" of outer door skin, left 356 - 356C	44.00
	P111R	Lower 5" of outer door skin, right 356 - 356C	44.00
47	P128L	Door lock post, left 356A - 356C (1957/2 - 1965) Coupe, Cabriolet *	70.00
	P128R	Door lock post, right 356A - 356C (1957/2 - 1965) Coupe, Cabriolet *	70.00
	P128T1L	Door lock post T1, low striker, left	297.00
	P128T1R	Door lock post T1, low striker, right	297.00
		*Other door lock posts available - inquire	
48	P105L	Front of rear fender, left 356 - 356C	46.00
	P105R	Front of rear fender, right 356 - 356C	46.00
49	P116L	Complete rocker panel, left 356 (1950 - 55)	700.00
	P116R	Complete rocker panel, right 356 (1950 - 55)	700.00
	P117L	Complete rocker panel, left 356 - 356C	165.50
	P117R	Complete rocker panel, right 356 - 356C	165.50
	P117AL	Long threshold sill, left 356 - 356C	34.75
	P117AR	Long threshold sill, right 356 - 356C	34.75
	P117D	Rocker panel support	25.50
	P117BL	Short threshold sill, left 356 - 356C	25.50
	P117BR	Short threshold sill, right 356 - 356C	105.75
	P117CL	Outer rocker panel skin, left 356 - 356C	105.75
	P117CR	Outer rocker panel skin, right 356 - 356C	12.00
50	P144	Torsion bar cover 356 - 356C	6.00
51	P107L	Front of rear wheel well, left 356 - 356A	22.00
	P107R	Front of rear wheel well, right 356 - 356A	22.00
	P107AL	Front of rear wheel well, left 356B - 356C	22.00
	P107AR	Front of rear wheel well, right 356B - 356C	22.00
52	P133	Rear fender brace, left or right 356 - 356A	35.00
	P134	Rear fender brace, left or right 356B - 356C	49.00
53	P154	Rear suspension stop on inner wheel house T6 only	35.00
54	P184	Upper inner nose panel 356A - 356B T5	99.00
	P184B	Upper inner nose panel 356 B T6	99.00
55	P195	Nose 356B-C T6 (truck freight)	Inquire
	P195AL	356 B-C T6 Left half	390.00
	P195AR	356 B-C T6 Right half	390.00
	P196	356B T5 Front nose	1100.00
	P196AL	356B T5 Front nose half left	400.00
	P196AR	356B T5 Front nose half right	400.00
	P197	356A Front nose	2850.00
56	P151A	Front hood repair panel, A car (1955-59)	325.00
	P1151B	Front hood repair panel, B car (1960-63)	325.00
	P151BT5	Inner hood structure A-BT5	call
	P151BT6	Inner hood structure BT6	call
	P151CT6	Inner hood structure 356C	call
	P198	Hood 356B-C T6 (truck freight)	Inquire
	P156	T6 fuel filler neck	175.00
	P161	Lower hood rain gutter	inquire
	P161AL	Left side rain gutter	inquire
	P161AR	Right side rain gutter	inquire
	P161T6	T6 Lower hood rain gutter	250.00
57	P199L	Headlight repair area, left	145.00
	P199R	Headlight repair area, right	145.00
	P152L	Heel panel left, A car (1955-59)	105.00
	P152R	Heel panel right, A car (1955-59)	105.00
59	P155L	Plate for rear bumper mounting, T1, left	100.00
	P155R	Plate for rear bumper mounting, T1, right	100.00
60	P185L	Left rear inner fender A, B and C coupe	565.00
	P185R	Right rear inner fender A, B and C coupe	565.00

**To order call 519-836-3555 or 519-836-2952  
or order online at [www.restoration-design.com](http://www.restoration-design.com)**

# 911/912 Panels from Restoration Design (Chassis)



Key	Part #	Description	Price	
1	P230	Front latch support panel with lip 1966-73	\$638.50	
	P230A	Front latch support panel 1965-67	445.00	
	P230B	Front latch support panel with hole for washer tank 1968-73	445.00	
	P231	Front lip only 1965-73	123.00	
	P232	Front latch support panel, 1974-89	325.00	
	P233	Front lip only 1974-89	37.00	
	2	P202	Front bumper bracket, SWB (1965-68)	35.00
		P200	Front suspension pan WITH TOW HOOK fits 1965-89	235.00
		P200A	Front suspension pan WITHOUT TOW HOOK for AC car Fits 1965-89	195.00
		P201	Tow hook assembly only	85.00
		P201A	Right suspension pan saddle	12.50
		P201B	Weld in stud for suspension pan	12.50
		P201AL	Front suspension stud receiver, left	12.50
P201AR	Front suspension stud receiver, right	12.50		
P201C	Reinforcement front suspension mount	15.00*		
*Part P201C is highly recommended to be welded in after suspension has been bolted to car for correct placement. These reinforcements give extra strength to the studs, reducing flex and reducing the possibility of the studs ripping out.				
3	P202	Front bumper bracket (SWB 1965-68)	36.00	
	P204	Gas tank support 1965-89	85.00	
	P204A	Gas tank support with battery support 1965-68	105.00	
	P204B	Gas tank support 1969-73	82.00	
4	P204D	Battery tray only 1965-68	25.00	
	P220L	Gas tank lateral support, left 1965-73	385.00	
	P220AL	Gas tank lateral support, left 1974-89	165.00	
5	P220R	Gas tank lateral support, right 1965-89	205.00	
	P223L	Corner support plate for gas tank lateral support, left 1965-73	34.39	
6	P223R	Corner support plate for gas tank lateral support, right 1965-73	34.39	
	P206L	Battery box, left 1969-73	135.50	
7	P206R	Battery box, right 1969-73	135.50	
	P212L	Outer rocker panel, left, 1965-73	101.00	
	P212R	Outer rocker panel, right, 1965-73	101.00	
	P212AL	Outer rocker panel, left 1974-89	170.00	
	P212AR	Outer rocker panel, right 1974-89	170.00	



8	P213L	Inner rocker panel, left 1965-89	95.00
	P213R	Inner rocker panel, right 1965-89	95.00
9	P214	Jack receiver plate 1965-86	26.00
10	P215	Jack receiver tube 1965-73	34.00
	P216	Jack receiver tube 1974-89	34.00
11	P280L	Longitudinal/wheelhouse repair panel, left	281.00
	P280R	Longitudinal/wheelhouse repair panel, right	281.00
12	P218A	Front pedal area section without brackets	290.00
	P218B	Front pedal area section with brackets	335.00
	P218C	Bearing bracket for front pedal area, 2 per car	61.00
	P218DL	Bearing bracket for front pedal area, left	114.10
	P218DR	Bearing bracket for front pedal area, right	114.10
	P218PB	Foot pedal bracket	21.00
13	P218	Front half floor pan	220.00
14	P219	Rear half floor pan	220.00
15	P287	Rear license panel 1965-73	120.00
	P287A	Rear license panel, aluminum 1970 - 72 911S	115.00
23	P260L	Rocker panel support, left 1965-89	38.00
	P260R	Rocker panel support, right 1965-89	38.00
33	P285	Rear cross member latch panel 1965-83	655.00
34	P286	Heel panel	125.00
40	P221	Parcel shelf 1965-68 SWB	265.00
	P221A	Parcel shelf 1969-71 LWB	265.00
	P221L	Parcel shelf left half 1965-68 SWB	155.00
	P221R	Parcel shelf right half 1965-68 SWB	155.00
	P221AL	Parcel shelf left half 1969-71 LWB	155.00
	P221AR	Parcel shelf right half 1969-71 LWB	155.00
	P221B	Parcel shelf 1972-76 LWB	280.00
41	P222L	Rear seat bottom left, 1973-89	280.00
	P222R	Rear seat bottom right, 1973-89	280.00
	P224L	Rear seat bottom left, 1965-72	295.00
	P224R	Rear seat bottom right, 1965-72	295.00
	P228R	Floor board mount, right	22.00
	P249	Engine bay channel	21.00

(Straight channel in which the rubber seal slides in. Bend accordingly)



930 FLARES AND ROCKER PANEL



FENDER JOINING PANELS & DOOR LOCK POST



BATTERY BOXES, 1969-73



911/912 FLOOR SECTIONS



COWL REPAIR PANEL

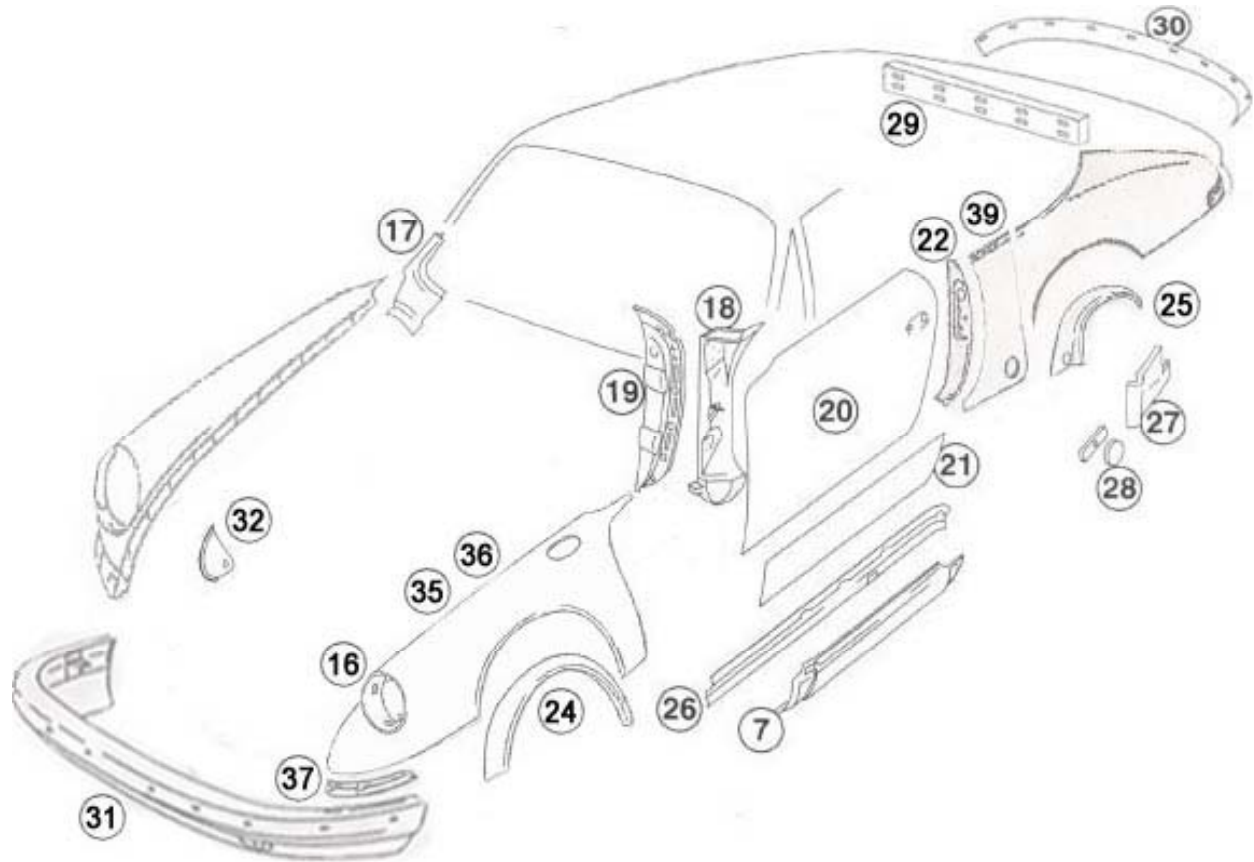


DOOR, ROCKER & ROCKER SUPPORT

**To order call 519-836-3555 or 519-836-2952  
or order online at [www.restoration-design.com](http://www.restoration-design.com)**

# 911/912 Panels from Restoration Design

(Exterior)



Key	Part #	Description	Price
6	P206L	Battery box, left 1969-73	\$135.50
	P206R	Battery box, right 1969-73	135.50
7	P212L	Outer rocker panel, left 1965-73	98.00
	P212R	Outer rocker panel, right 1965-73	98.00
	P212AL	Outer rocker panel, left 1974-89	165.00
	P212AR	Outer rocker panel, right 1974-89	165.00
16	P240	Headlight bucket 1965-68 (L or R)	147.00
	P242L	Headlight bucket, left 1969-73	147.00
	P242R	Headlight bucket, right 1969-73	147.00
	P243L	Headlight bucket, left 1974-86 (fits early models)	105.00
	P243R	Headlight bucket, right 1974-86 (fits early models)	105.00
17	P250L	Windshield post cowl repair panel, left	137.00
	P250R	Windshield post cowl repair panel, right	137.00
18	P255L	Door hinge post, left 1966-89	290.00
	P255R	Door hinge post, right 1966-89	290.00
19	P207L	Fender joining panel, left 1965-89	98.00
	P207R	Fender joining panel, right 1965-89	98.00
20	P208L	Door skin, left	295.00
	P208R	Door skin, right	295.00
21	P209L	Door skin lower 6" panel, left	48.00
	P209R	Door skin lower 6" panel, right	48.00
22	P210L	Door lock post, left	85.00
	P210R	Door lock post, right	85.00
24	P270L	Fender flare front, left Turbo	285.00
	P270R	Fender flare front, right Turbo	285.00
25	P271L	Fender flare rear, left Turbo (early style)	285.00
	P271R	Fender flare rear, right Turbo (early style)	285.00
	P272L	Fender flare rear, left SC/Carrera 1978-89	525.00
	P272R	Fender flare rear, right SC/Carrera 1978-89	525.00
26	P275L	Rocker panel cover, left Turbo	497.78
	P275R	Rocker panel cover, right Turbo	497.78



27	P278L	Lower fender panel, left Turbo	133.50
	P278R	Lower fender panel, right Turbo	133.50
28	P281	Torsion bar cover and seal	18.25
	P282L	Torsion bar cover, left late model Turbo	21.50
	P282R	Torsion bar cover, right late model Turbo	21.50
29	P289	Rear reflector panel 1974-89	143.75
	P289C	Plastic reflector, clip on with red lettering 1987-89	378.71
30	P290	Rear valance panel 1974-89	124.50
31	P292	Front valance panel 1974-83 (no fogs)	190.00
	P293	Front valance panel 1984-89 (with fogs)	190.00
32	P295L	Angle plate for front wheelhouse, left 1965-73	34.50
	P295R	Angle plate for front wheelhouse, right 1965-73	34.50
35	P297L	Left front fender 1970-74	1400.00
	P297R	Right front fender 1970-74	1400.00
36	P296L	Left front fender 1974-89	1400.00
	P296R	Right front fender 1974-89	1400.00
37	P298L	Left Front Fender signal light box 1965-68	345.00
	P298R	Right Front Fender signal light box 1965-68	345.00
38	P205L	Door bottom, left	78.00
	P205R	Door bottom, right	78.00
39	P211L	Front of rear fender, left	85.00
	P211R	Front of rear fender, right	85.00
	P226L	Rear window corner replacement, left	47.00
	P226R	Rear window corner replacement, right	47.00
	P227	Parcel shelf / Heel panel interior bracket	23.00



**930 FLARES AND ROCKER PANEL**



**FENDER JOINING PANELS & DOOR LOCK POST**



**BATTERY BOXES, 1969-73**



**911/912 FLOOR SECTIONS**



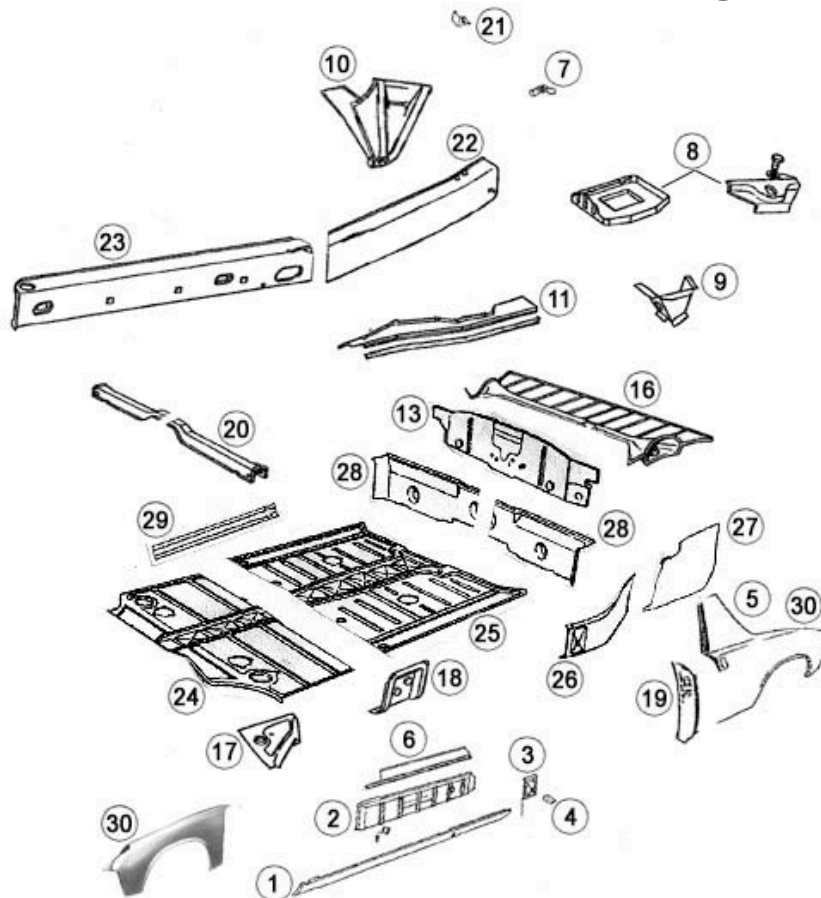
**COWL REPAIR PANEL**



**DOOR, ROCKER & ROCKER SUPPORT**

**To order call 519-836-3555 or 519-836-2952  
or order online at [www.restoration-design.com](http://www.restoration-design.com)**

# 914 Panels from Restoration Design



Key	Part #	Description	Price
1	P300L	Outer rocker panel, left	\$150.00
	P300R	Outer rocker panel, right	150.00
2	P301L	Inner rocker panel, left	140.00
	P301R	Inner rocker panel, right	140.00
3	P302	Jack receiver plate	18.00
4	P303	Jack receiver tube	15.00
5	P304L	Roof pillar panel, left	130.00
	P304R	Roof pillar panel, right	130.00
6	P308L	Door threshold sill, left	92.00
	P308R	Door threshold sill, right	92.00
7	P312	Trunk hinge bracket with bolt	33.50
8	P315	Battery clamp	8.00
	P316	Battery tray	55.00
9	P317	Battery support	32.00
10	P318	Suspension console	230.00
11	P319	Engine tray for use with suspension console	180.00
12	P311	E-brake cable guide	31.00
	P313	Seat hinge bracket	20.00
13	P326	Outer firewall, lower 5"	145.00
	P326L	Outer firewall, left	80.00
	P326R	Outer firewall, right	80.00
16	P335	Trunk floor	190.00
17	P342L	Rear floor jack point, left	74.00
	P342R	Rear floor jack point, right	74.00
18	P349	Emergency brake pivot	65.00
	P350	Engine bay channel	20.00
	P350A	Engine bay channel, curved	24.50

Key	Part #	Description	Price
19	P353L	Door jam, left	130.00
	P353R	Door jam, right	130.00
20	P355L	Cross member repair, left	105.00
	P355R	Cross member repair, right	105.00
21	P343	Engine lid hinge bracket	25.50
	P346L	Frame stiffener, left overlays longitudinal	195.00
	P346R	Frame stiffener, right overlays longitudinal	195.00
	P347	Seat hinge	23.00
	P348	Jacking donut	35.00
22	P351	Inner longitudinal member, engine compartment	300.00
23	P352	Inner longitudinal member, passenger compartment	300.00
	P354	Sill Triangle	23.00
	P358	Muffler bracket, 1.7 litre	42.00
24	P344	Floor pan, front half	180.00
25	P345	Floor pan, rear half	180.00
	P345B	Short rear floor pan	102.00
	P345BL	Short rear floor pan left	52.00
	P345BR	Short rear floor pan right	52.00
26	P331	Inner wheelhouse, lower right	145.00
27	P330	Inner wheelhouse, upper right	110.00
28	P325L	Inner fire wall, left lower 5"	125.00
	P325R	Inner fire wall, right lower 5"	110.00
29	P341	Seat mount reinforcement, 2 per rear floor pan	25.00
30	P359	GT flare, set of 4	995.00
	P350	Engine bay channel	21.00
	P357	Pedal support bracket	40.00

**To order call 519-836-3555 or 519-836-2952  
or order online at [www.restoration-design.com](http://www.restoration-design.com)**

**356**

Our extensive line of 356 sheet metal is unequalled for quality at a fair price. Restoration Design offers a full selection of parts ranging from battery box floors to complete floor pans and longitudinal members with jack spurs just to name a few.



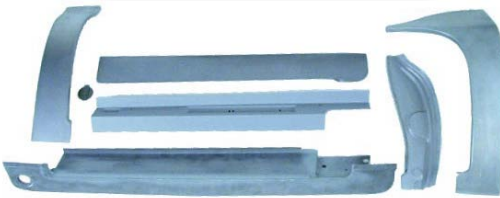
**356BC Bumpers**



**SUSPENSION STOP, T6**



**FRONT AND REAR FENDER BRACES**



**FENDER, DOOR & ROCKER PANELS**



**356 AND 911 HEADLIGHT BUCKETS**



**INNER NOSE PANELS 356A**



**CARRERA REAR VALANCE**



**2 PIECE ENGINE SHELF**

**914**

Rust is definitely a four-letter word when it comes to 914's, but Restoration Design has faithfully reproduced the parts needed to repair and restore your 914. Our galvanized inner and outer rocker panels are perfect copies of the original equipment panels. And, we offer package deals and everyday low prices to help keep restoration costs down to a minimum. Give us a call and you'll find out why we are the source for all your 914 sheet metal.



**TRUNK HINGE BRACKET & BOLT**



**SUSPENSION CONSOLE**



**DOOR THRESHOLD SILLS**



Inquire about additional sheet metal panels for 914 including trunk floor, frame repair, floor pans, engine shelf and others.

**Buy with Confidence!!**

To order call 519-836-3555 or 519-836-2952  
or order online at [www.restoration-design.com](http://www.restoration-design.com)

On the web at: [www.restoration-design.com](http://www.restoration-design.com)  
Phone 519-836-3555 or 519-836-2952  
or FAX 519-836-3577

Restoration Design, 24 Hayes Ave., Guelph, Ontario N1E 5V5, Canada

**1. ORDERED BY**

Name \_\_\_\_\_

Address \_\_\_\_\_ City \_\_\_\_\_ State \_\_\_\_\_ Zip \_\_\_\_\_

(UPS will not deliver to P.O #'s)

**2. DAYTIME PHONE** (Required to process order)

**3. NIGHTTIME PHONE**

( \_\_\_\_\_ ) \_\_\_\_\_ ( \_\_\_\_\_ ) \_\_\_\_\_

**4. CAR INFORMATION**

Model \_\_\_\_\_ Year \_\_\_\_\_ Body Style \_\_\_\_\_ Engine \_\_\_\_\_

**5. ITEMS ORDERED**

Part No.	Quantity	Description	Price Ea.	Total	Office Use

Net Amount  
Tax  
Shipping  
**TOTAL (USD)**



**7. METHOD OF PAYMENT**

Check    Money Order    VISA    MasterCard

Account Number  -  -  -

Name of Bank on Card (VISA and MC only) \_\_\_\_\_

Epiration Date \_\_\_\_/\_\_\_\_/\_\_\_\_

Authorized Signature \_\_\_\_\_

(Charges are in US Dollars)

**9. SHIPPING ADDRESS**

Name \_\_\_\_\_

Address \_\_\_\_\_

City \_\_\_\_\_ State \_\_\_\_\_ Zip \_\_\_\_\_

**8. BILLING ADDRESS**

**CREDIT CARD HOLDERS INDICATE ADDRESS WHERE STATEMENTS ARE RECEIVED.**

Name \_\_\_\_\_

Address \_\_\_\_\_

City \_\_\_\_\_ State \_\_\_\_\_ Zip \_\_\_\_\_

**IF DIFFERENT THAN BILLING ADDRESS, PLEASE INDICATE.**

Name \_\_\_\_\_

Address \_\_\_\_\_

City \_\_\_\_\_ State \_\_\_\_\_ Zip \_\_\_\_\_

**SEND A FREE CATALOG TO MY FRIEND:**

Name \_\_\_\_\_

Address \_\_\_\_\_

City \_\_\_\_\_ State \_\_\_\_\_ Zip \_\_\_\_\_