

RESTORATION



Design INC.

Catalogue

Revised December 2012



www.restoration-design.com

RESTORATION DESIGN CATALOGUE DECEMBER 2012

Thank you for browsing our catalogue. You may order from our secure website at www.restoration-design.com or contact us below:

- › **Restoration Design**
24 Hayes Ave.
Guelph, Ontario N1E 5V5
Canada
- › **Phone:** 519.836.3555
- › **Email:** Mike@restoration-design.com



TABLE OF CONTENTS:

1	Ordering / Additional Part List
2-4	356 Chassis Diagram & Part List
5-7	356 Exterior Diagram & Part List
8-9	911 Chassis Diagram & Part List
10-11	911 Exterior Diagram & Part List
12-13	914 Chassis/Exterior Diagram & Part

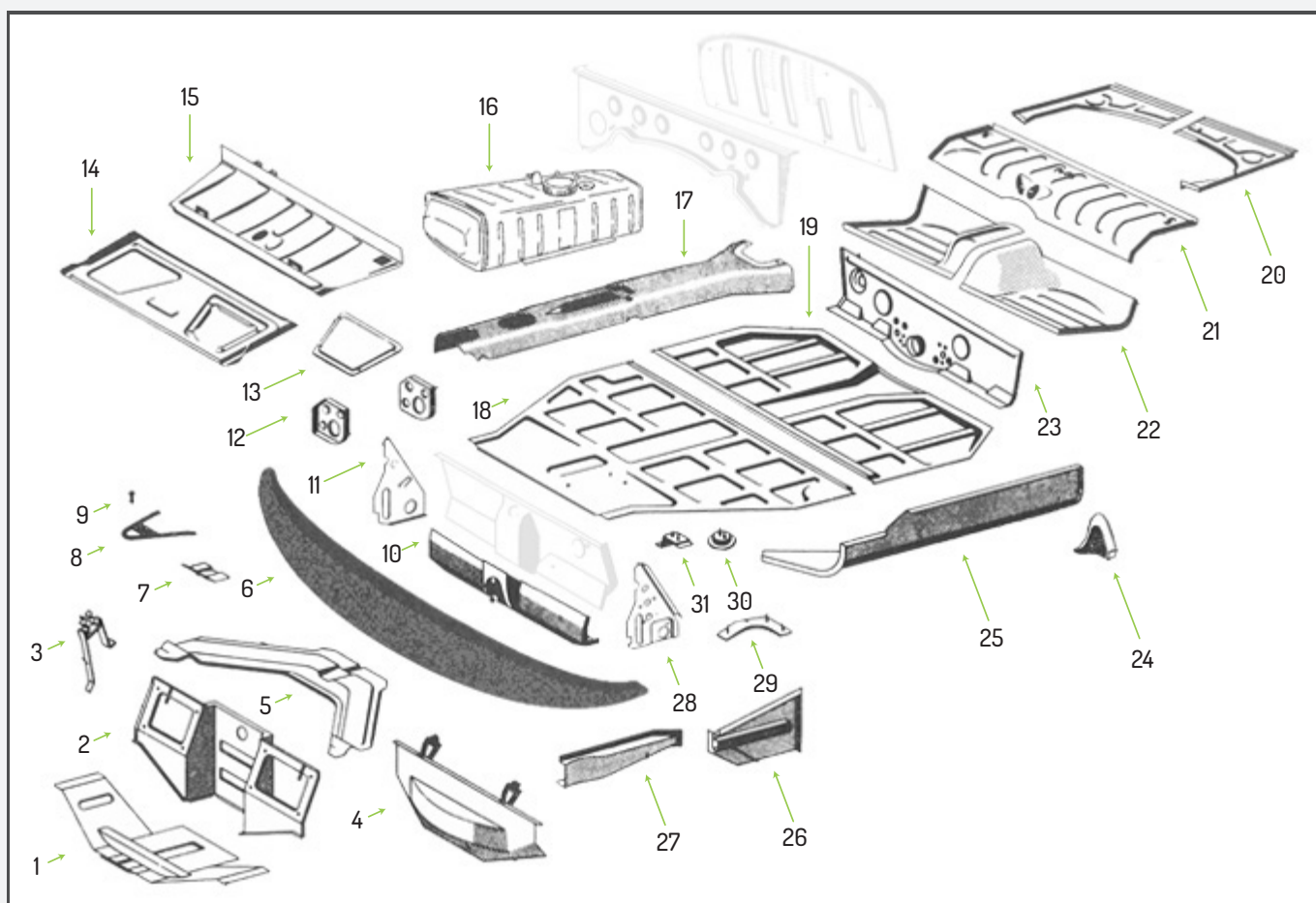
ADDITIONAL PARTS

Part #	Description	Price USD
RD-616-111-010	Exhaust - Exact reproduction. Will fit 356 B/C and 1965-69 912 models.	\$400.00
RD-644-211-004	Heat Exchanger - Exact reproduction. Both left and right available and will fit 356 A/B/C.	\$395.00
P550	550 Spyder Grille - Aluminum replica 550 Spyder grille made by Aluwerke. Same dimensions as original. Can also be used for 356 as air intake for oil cooler. Will require fitment.	\$350.00
P1156-6V	6 Volt LED Bulb - Can be used for taillights, brake lights, and signal lights. Both 1156 & 1157 base bulbs available.	\$10.00
P1156-12V	12 Volt LED Bulb - Can be used for taillights, brake lights, and signal lights. Both 1156 & 1157 base bulbs available.	\$10.00
P500	Aluminum Valve Cover Set - Fits Aluminum rocker stand engines only. Kit includes two valve covers, two premium gaskets, hardware and guide.	\$300.00
644-347-085-05	"B" Horn Ring - Exact Reproduction.	\$425.00
644-347-811-01	"A" Horn Ring - Exact Reproduction.	\$425.00
356-62-211	Front clear lens. Pre A 1950-52 - Exact Reproduction. Correct fluting, correct convergence of fluting and correct dimensions. The best reproduction available, reproduced from an NOS lens. Price is per lens.	\$55.00
356-62-212	Rear red lens. Pre A 1950-52 - Exact Reproduction. Correct fluting, correct convergence of fluting and correct dimensions. The best reproduction available, reproduced from an NOS lens. Price is per lens.	\$55.00

356 CHASSIS PART LIST

VIEW THE TABLE & CHART BELOW:

Note: Not all parts are displayed on this diagram - see the table below for a full list of parts we stock.



Part #	Description	Price USD	Diagram #
P100	Battery box floor (with center brace) 356A	\$92.00	1
P100A	Battery box floor 356 (1950-55)	\$105.00	
P101	Battery box floor (with center brace) 356B T5	\$82.00	
P101A	Center brace for T2/T5 battery floor	\$25.00	
P102	Battery box floor (with bracket) 356B T6-356C	\$63.00	8
P102A	Battery floor bracket 356 T6	\$19.00	
P102B	Tow hook 356A - 356C	\$18.00	
P102C	Tow hook plate 356A - 356B T5	\$9.75	7
P102D	Tow hook plate 356B - T6 - 356C	\$8.00	
P102E	Toe hook rivets	\$2.00	9

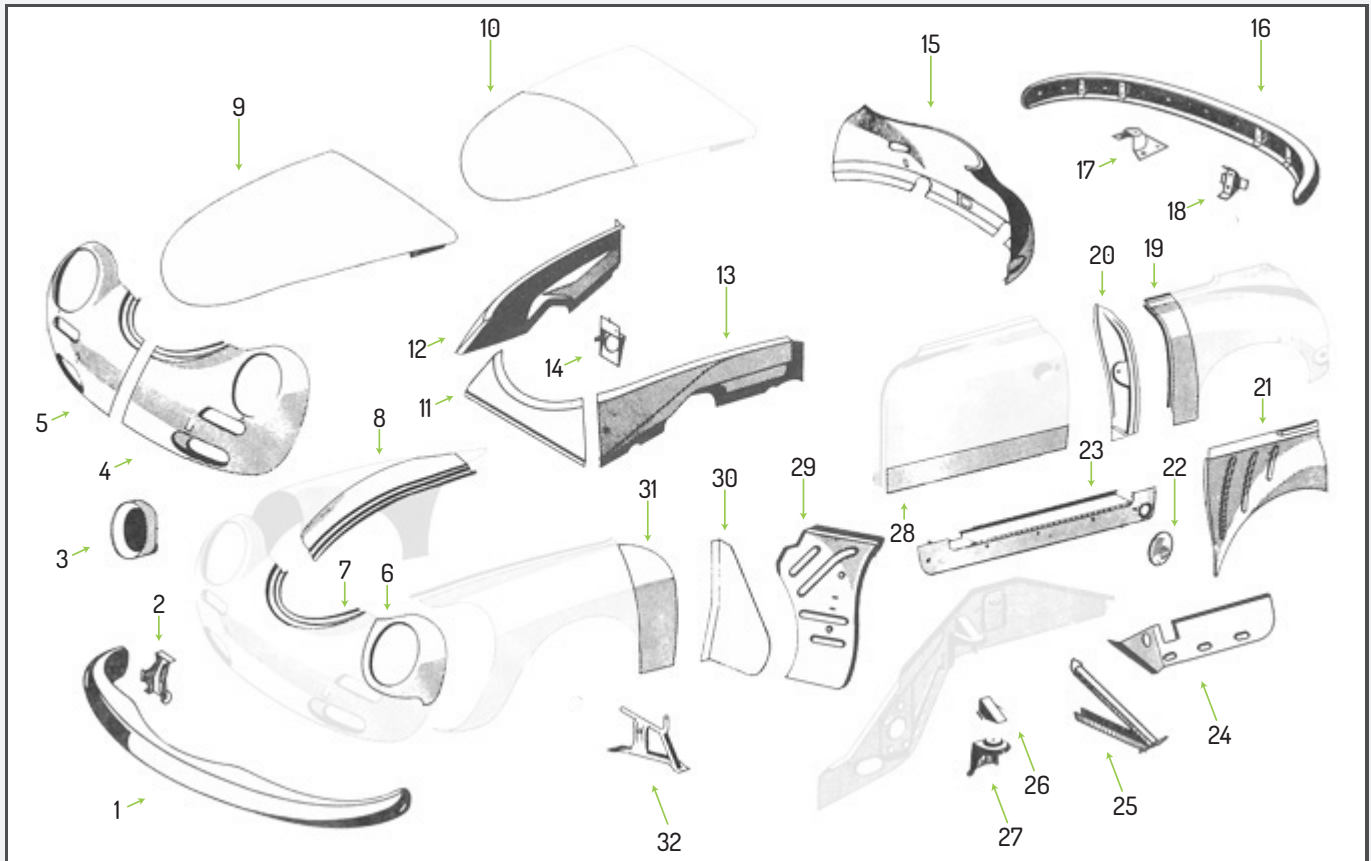
Part #	Description	Price USD	Diagram #
P103L	Frame strut, left (inner & outer) 356A - 356C	\$37.00	27
P103R	Frame strut, right (inner & outer) 356A - 356C	\$37.00	
P108L	Longitudinal member, left 356 - 356C	\$57.00	25
P108R	Longitudinal member, right 356 - 356C	\$57.00	
P108PAL	Pre A longitudinal 1950-55 left	\$58.00	
P108PAR	Pre A longitudinal 1950-55 right	\$58.00	
P109L	Longitudinal support, LR/RF 356 - 356B T5 *	\$20.00	12
P109R	Longitudinal support, LF/RR 356 - 356B T5 *	\$20.00	
P109AL	Longitudinal support, LR/RF 356BT6 - 356C *	\$20.00	
P109AR	Longitudinal support, LF/RR 356BT6 - 356C *	\$20.00	
P112	Diagonal member 356A - 356C	\$62.00	5
P112A	Diagonal member 356 (1950-55)	\$62.00	
P113	Gas tank floor, Pre A 1953-55	\$285.00	15
P113A	Gas tank floor, 356 T1 1956-57	\$295.00	
P113B	Gas tank floor, 356 T2- T5 1958-61	\$295.00	
P114	Battery box rear wall 356, 2 piece (1950-55)	\$89.00	2
P114A	Battery box rear wall, 3 piece A (1956-59)	\$150.00	
P114B	Battery box rear wall, 3 piece B T5 (1960-61)	\$151.00	
P114C	Battery box rear wall, 2 piece B T6	\$152.00	
P114D	Battery box rear wall, 2 piece C T6	\$152.00	
P115	Front pedal area 356 - 356C	\$147.00	10
P118	Front half floor pan 356 - 356C	\$135.00	18
P118PA	Front half floor pan 356 Pre A	\$525.00	
P119	Rear half floor pan 356 - 356C	\$135.00	19
P119PA	Rear half floor pan 356 Pre A	\$525.00	
P119AL	Rear seat bottom left	\$149.00	22
P119AR	Rear seat bottom right	\$149.00	
P119BL	Rear seat bottom, left A car	\$149.00	
P119BR	Rear seat bottom, right A car	\$149.00	
P119CS	Complete seat bottom Pre A (one piece)	\$975.00	
P120L	Toeboard mount, 356 - 356C, left	\$10.00	
P120R	Toeboard mount, 356 - 356C, right	\$8.00	
P121	Front seat mount, pair 356 - 356B T5	\$24.00	30
P121PA	Front seat mount, pair 356 Pre A	\$24.00	
P122	Rear seat mount, pair 356 - 356B T5	\$24.00	
P122PA	Rear seat mount, pair 356 Pre A	\$24.00	
P123	Front seat mount, pair 356B - T6-356C	\$24.00	31
P124L	Rear seat mount, 356B - T6-356C, left	\$27.50	
P124R	Rear seat mount, 356B - T6-356C, right	\$27.50	
P127PA	Shifter tunnel for Pre "A" cars	\$1075.00	17
P127T1	Shifter tunnel for "A" cars. 1956-57	\$1075.00	
P127T2	Shifter tunnel for "A" cars. 1958-59	\$1075.00	
P129	Floor perimeter angle kit for floor pan installation	\$25.00	
P135	Jack receiver 356A - 356B T6 with flange	\$44.00	24
P135PA	Jack receiver, 356 Pre A	\$105.00	
P136	Jack receiver 356C without flange	\$41.00	
P137	Engine shelf, 2 pieces 356 - 356C	\$89.00	20

Part #	Description	Price USD	Diagram #
P138L	Battery box side, left 356 (1950-55)	\$60.00	26
P138R	Battery box side, right 356 (1950-55)	\$60.00	
P139L	Battery box side, left 356A	\$46.00	
P139R	Battery box side, right 356A	\$46.00	
P140L	Battery box side, left 356B T5	\$58.00	
P140R	Battery box side, right 356B T5	\$58.00	
P141L	Battery box side, left 356B T6-356C	\$80.00	
P141R	Battery box side, right 356B T6-356C	\$80.00	
P141AL	Battery box side, left with heater bubble T6	\$157.00	
P142	Pedal support bracket 356B - 356C	\$28.00	29
P143	Inner longitudinal member	\$35.00	
P147L	Pedal board support left	\$54.00	28
P147R	Pedal board support right	\$51.00	11
P149	Engine Bay Channel, must be bent to fit (40 inches)	\$28.00	
P152L	Heel panel left, A car (1955-59) T2	\$105.00	
P152R	Heel panel right, A car (1955-59) T2	\$105.00	
P152LT1	Heel panel left, Pre A car (1950-55) T1	\$105.00	
P152RT1	Heel panel right, Pre A car (1950-55) T1	\$105.00	
P152T5T6	Heel panel, T5-T6 (16 gauge)	\$510.00	23
P153C	Jack Stand storage/receiver clip	\$59.00	
P158	Replacement Vin panel, T1-T5	\$375.00	
P158PA	Vin panel Pre A 1950-55	\$375.00	
P160	Steel dash for A/B/C coupes	\$375.00	6
P162	Steering Box Access cover 356- 356BT5	\$105.00	13
P163PA	Parcel shelf Pre A 1950-55	\$385.00	21
P163T1T2	Parcel shelf T1/T2 1955-59	\$385.00	
P165	Carrera rear valance 356B - 356C	\$425.00	
P166	A/BT5 Gas Tank	\$425.00	16
P166C	BT5-T6 Gas Tank	\$550.00	
P178	Engine shelf support rail - 38" trim to fit	\$16.00	
P179	Heat shield under engine shelf	\$46.00	
P180	Battery compartment wall, front 356B T5	\$145.00	4
P181	Battery compartment wall, front 356BC T6	\$135.00	
P182	Battery compartment wall, front 356A	\$142.00	
P182PA	Battery front lower compartment wall, Pre A 1950-1954	\$120.00	
P183RI	Rear frame repair panel, inner right	\$91.00	
P183RO	Rear frame repair panel, outer right	\$91.00	
P183LI	Rear frame repair panel, inner left	\$91.00	
P183LO	Rear frame repair panel, outer left	\$91.00	

356 EXTERIOR PART LIST

VIEW THE TABLE & CHART BELOW:

Note: Not all parts are displayed on this diagram - see the table below for a full list of parts we stock.



Part #	Description	Price USD	Diagram #
P104L	Rear of front fender, left 356 - 356C	\$54.00	
P104R	Rear of front fender, right 356 - 356C	\$54.00	
P105L	Front of rear fender, left 356 - 356C	\$46.00	19
P105R	Front of rear fender, right 356 - 356C	\$46.00	
P106L	Front lower half wheel well, left 356 - 356C	\$101.00	
P106R	Front lower half wheel well, right 356 - 356C	\$101.00	
P106AL	Front lower half outer wheel well, left 356 - 356C	\$55.00	
P106AR	Front lower half outer wheel well, right 356 - 356C	\$55.00	
P106BL	Front complete outer wheel well, left 1958 - 65 (4 rib version)	\$105.00	
P106BR	Front complete outer wheel well, right 1958 - 65 (4 rib version)	\$105.00	
P106CL	Front complete outer wheel well, left 1956 - 57 (5 rib version)	\$210.00	
P106CR	Front complete outer wheel well, right 1956 - 57 (5 rib version)	\$210.00	

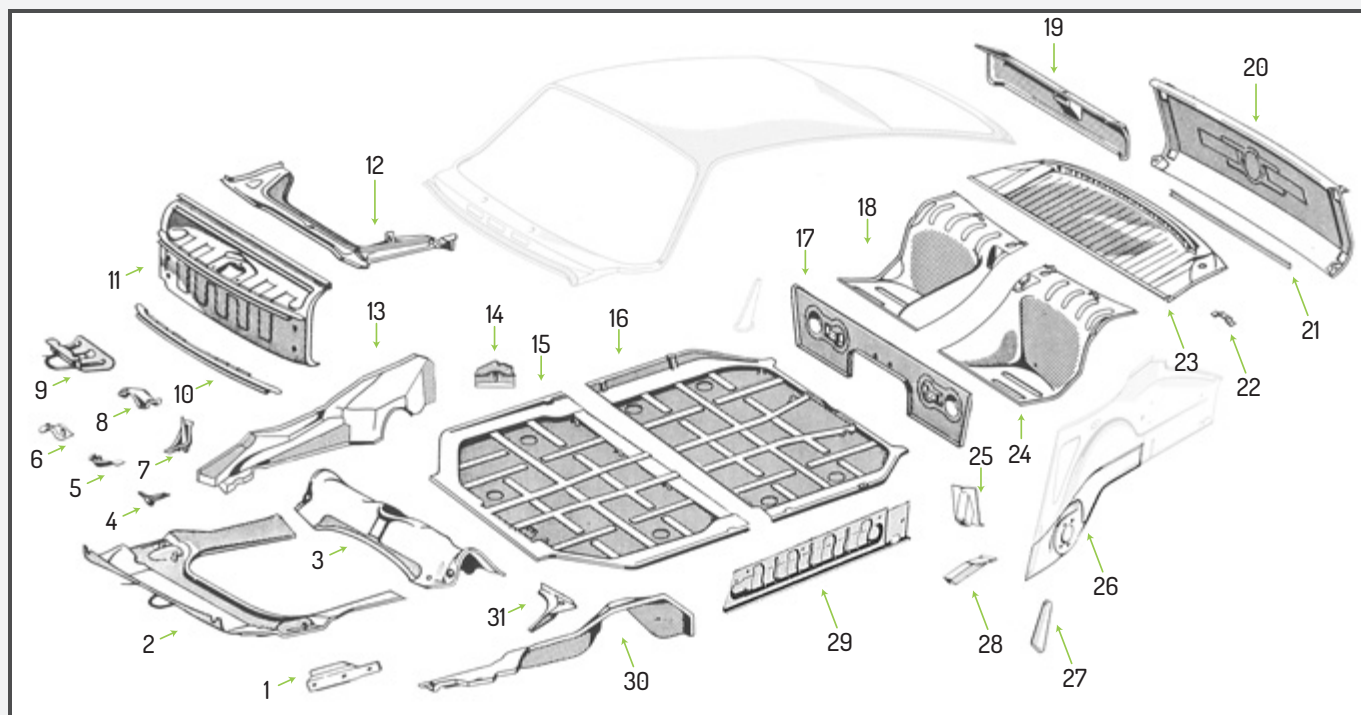
Part #	Description	Price USD	Diagram #
P106DL	Front complete outer wheel well, left 1951 - 55 (2 rib version)	\$152.00	
P106DR	Front complete outer wheel well, right 1951 - 55 (2 rib version)	\$152.00	
P106F	Front inner wheel well, left or right 356 - 356C	\$11.50	
P107L	Front of rear wheel well, left 356 - 356A	\$22.00	
P107R	Front of rear wheel well, right 356 - 356A	\$22.00	
P107AL	Front of rear wheel well, left 356B - 356C	\$22.00	
P107AR	Front of rear wheel well, right 356B - 356C	\$22.00	
P110L	Door bottom, left 356 - 356C	\$47.00	
P110R	Door bottom, right 356 - 356C	\$47.00	
P110CL	Door bottom 356 BT6-C left	\$145.00	
P110CR	Door bottom 356 BT6-C right	\$145.00	
P111L	Lower 5" of outer door skin, left 356 - 356C	\$45.00	
P111R	Lower 5" of outer door skin, right 356 - 356C	\$45.00	
P116L	Complete rocker panel, left 356 (1950 - 55)	\$590.00	23
P116R	Complete rocker panel, right 356 (1950 - 55)	\$590.00	
P117L	Complete rocker panel, left 356 - 356C	\$165.50	
P117R	Complete rocker panel, right 356 - 356C	\$165.50	
P117AL	Long threshold sill, left 356 - 356C	\$34.75	
P117AR	Long threshold sill, right 356 - 356C	\$34.75	
P117BL	Short threshold sill, left 356 - 356C	\$25.50	
P117BR	Short threshold sill, right 356 - 356C	\$25.50	
P117CL	Outer rocker panel skin, left 356 - 356C (Out of Stock)	\$105.75	
P117CR	Outer rocker panel skin, right 356 - 356C (Out of Stock)	\$105.75	
P117D	Rocker Panel Support	\$12.00	
P125	Front bumper 356 - 356A (1952 - 59)	\$475.00	1
P125A	Front bumper bracket 356 - 356A (1952 - 59) - 4 per bumper	\$36.00	2
P125PA	Front bumper 356 Pre A (1950 - 52)	\$1700.00	
P126	Rear bumper 356 - 356A (1952 - 59)	\$475.00	16
P126A	Rear bumper bracket 356 - 356A (1952 - 59) - 4 per bumper	\$36.00	18
P126PA	Rear bumper 356 Pre A (1950 - 52)	\$1700.00	
P126B	"A" rear bumper exhaust cutout bracket	\$42.50	17
P1255	Non welded front bumper 356 - 356A (1952 - 59)	\$350.00	
P1266	Non welded rear bumper 356 - 356A (1952 - 59)	\$350.00	
P128L	Door lock post, left 356A-356C (1957/2-1965) Coupe, Cabriolet	\$70.00	20
P128R	Door lock post, right 356A-356C (1957/2-1965) Coupe, Cabriolet	\$70.00	
P128T1L	Door lock post T1, low striker, left	\$165.00	
P128T1R	Door lock post T1, low striker, right	\$165.00	
P130L	Front fender brace, left 356 - 356A	\$75.00	
P130R	Front fender brace, right 356 - 356A	\$75.00	
P131L	Front fender brace, left 356BT5	\$58.00	
P131R	Front fender brace, right 356BT5	\$58.00	
P132L	Front fender brace, left 356B T6-356C	\$52.00	
P132R	Front fender brace, right 356B T6-356C	\$52.00	
P133	Rear fender brace, left or right 356 - 356A	\$37.00	25
P134	Rear fender brace, left or right 356B - 356C	\$49.00	
P144	Torsion bar cover 356 - 356C	\$8.00	22
P145	Front bumper 356B - 356C	\$659.00	
P145A	Front & Rear bumper bracket BT5-C	\$95.00	

Part #	Description	Price USD	Diagram #
P146	Rear bumper 356B - 356C	\$659.00	
P148L	Upper trunk panel, left. For "A" cars	\$455.00	13
P148R	Upper trunk panel, right. For "A" cars	\$455.00	12
P148PAL	Upper Trunk panel Pre-A car 1950-52, left	\$610.00	
P148PAR	Upper Trunk panel Pre-A car 1950-52, right	\$610.00	
P148T5BL	Upper trunk panel BT5, left	\$510.00	
P148T5BR	Upper trunk panel BT5, right	\$510.00	
P148T6CL	Upper trunk panel BT6-C, left	\$435.00	
P148TLCR	Upper trunk panel BT6-C, right	\$435.00	
P150	Headlight bucket 356 - 356C	\$98.00	3
P151A	Front hood repair panel, A car (1955-59)	\$325.00	9
P151B	Front hood repair panel, B car (1960-63)	\$325.00	10
P151T6	T6 hood repair panel	\$325.00	
P151BT5	Inner hood structure A-BT5	\$210.00	7
P151BT6	Inner hood structure BT6	\$210.00	
P151CT6	Inner hood structure 356C	\$210.00	
P153	Latch panel 356C	\$230.00	14
P153A	Latch panel 356 A - 356 B T5	\$93.00	
P153B	Latch panel 356 B T6	\$93.00	
P154	Rear suspension stop on inner wheel house T6 only	\$37.00	
P154A	Suspension stop 356A- 356BT5 (shock absorber mount)	\$72.00	26/27
P155L	Plate for rear bumper mounting, T1, left	\$100.00	24
P155R	Plate for rear bumper mounting, T1, right	\$100.00	
P156	T6 fuel filler neck	\$177.00	
P161A	Lower hood rain gutter / nose gutter 356 A	\$250.00	8
P161AL	Left side rain gutter	\$163.00	
P161AR	Right side rain gutter	\$163.00	
P161T6	T6 Lower hood rain gutter	\$185.00	
P161B	Lower hood rain gutter / nose gutter 356BT5	\$250.00	
P184	Upper inner nose panel 356 - 356B T5	\$101.00	11
P184B	Upper inner nose panel 356BT6- CT6	\$128.00	
P185L	Left rear inner fender A, B and C coupe	\$585.00	21
P185R	Right rear inner fender A, B and C coupe	\$585.00	
P186	Fog light bracket	\$25.00	
P190	Rear Clip BT5 Coupe 1959-61	\$2700.00	15
P195	Nose 356B-C T6 (truck freight)	\$1500.00	
P195AL	356 B-C T6 Left half	\$390.00	
P195AR	356 B-C T6 Right half	\$390.00	
P196	356B T5 Front nose	\$1250.00	
P196AL	356B T5 Front nose half left	\$400.00	4
P196AR	356B T5 Front nose half right	\$400.00	5
P197	356A Front nose	\$2850.00	
P198	Hood 356B-C T6 (truck freight)	Inquire	
P199L	Headlight repair area, left	\$145.00	6
P199R	Headlight repair area, right	\$145.00	

911/912 CHASSIS PART LIST

VIEW THE TABLE & CHART BELOW:

Note: Not all parts are displayed on this diagram - see the table below for a full list of parts we stock.



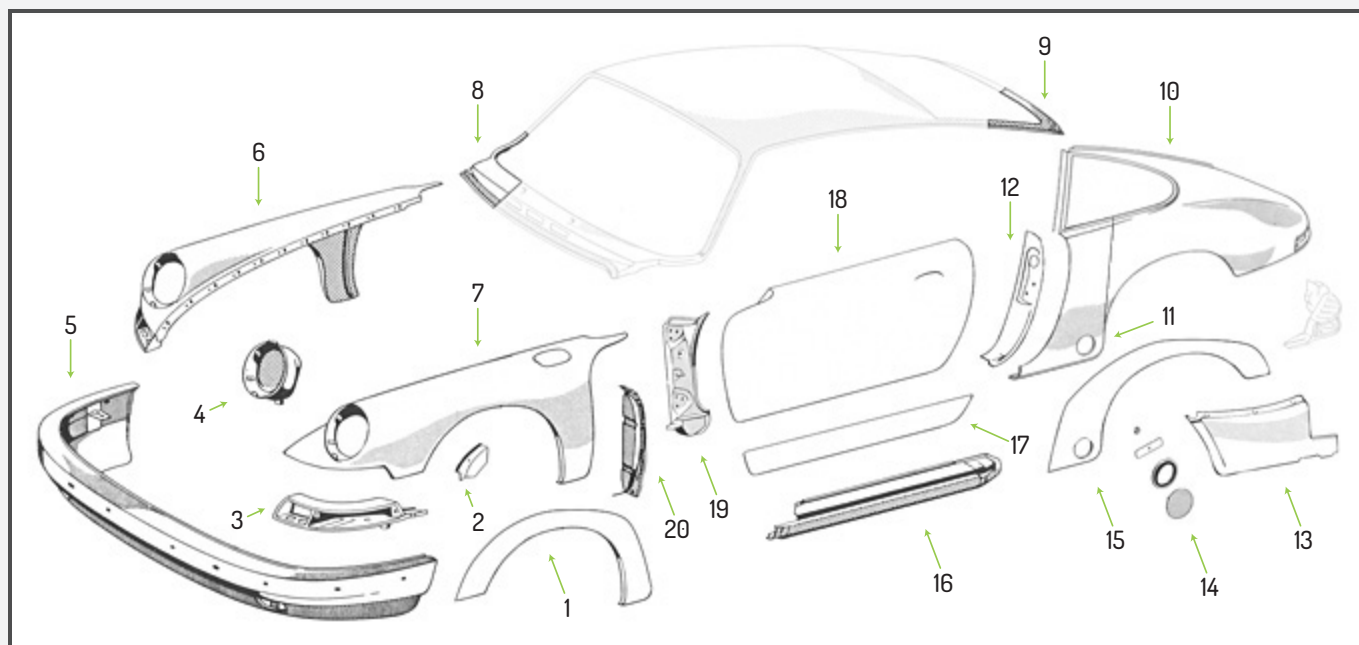
Part #	Description	Price USD	Diagram #
P200	Front suspension pan with tow hook. Fits 1965-89	\$250.00	2
P200A	Front suspension pan w/o tow hook for AC car. Fits 1965-89	\$195.00	
P201	Tow hook assembly only	\$105.00	9
P201A	Right suspension pan saddle	\$12.50	6
P201B	Weld in stud for suspension pan	\$12.50	
P201AL	Front suspension stud receiver, left	\$12.50	5
P201AR	Front suspension stud receiver, right	\$12.50	
P201C	Reinforcement front suspension mount	\$15.00	8
P202	Front bumper bracket. SWB 1965-68	\$36.00	1
P204	Gas tank support 1974-89	\$86.00	12
P204A	Gas tank support 1965-68 with battery tray	\$115.00	
P204B	Gas tank support 1969-73 without battery tray	\$105.00	
P204D	Battery tray only 1965-68	\$25.00	
P213L	Inner rocker panel, left 1965-89	\$97.00	29
P213R	Inner rocker panel, right 1965-89	\$97.00	

Part #	Description	Price USD	Diagram #
P214	Jack receiver plate 1965-86	\$34.00	25
P215	Jack receiver tube 1965-73	\$36.00	28
P216	Jack receiver tube 1974-89	\$36.00	
P218	Front half floor pan	\$220.00	15
P218A	Front pedal area section without brackets	\$290.00	3
P218B	Front pedal area section with brackets	\$335.00	
P218C	Bearing bracket for front pedal area, 2 per cart	\$63.00	4
P218DL	Bearing bracket for front pedal area, left	\$115.00	7
P218DR	Bearing bracket for front pedal area, right	\$115.00	
P218PB	Foot pedal bracket	\$21.00	
P219	Rear half floor pan	\$220.00	16
P220L	Gas tank lateral support, left 1965-73	\$390.00	30
P220AL	Gas tank lateral support, left 1974-89	\$170.00	
P220R	Gas tank lateral support, right 1965-89	\$210.00	13
P221	Parcel shelf 1965-68 SWB	\$285.00	23
P221A	Parcel shelf 1969-71 LWB	\$285.00	
P221L	Parcel shelf left half 1965-68 SWB	\$165.00	
P221R	Parcel shelf right half 1965-68 SWB	\$165.00	
P221AL	Parcel shelf left half 1969-71 LWB	\$165.00	
P221AR	Parcel shelf right half 1969-71 LWB	\$165.00	
P221B	Parcel shelf 1972-76 LWB	\$298.00	
P222L	Rear seat bottom left, 1973-89	\$300.00	24
P222R	Rear seat bottom right, 1973-89	\$300.00	18
P223L	Corner support plate for gas tank lateral support, left 1965-73	\$34.39	31
P223R	Corner support plate for gas tank lateral support, right 1965-73	\$34.39	
P224L	Rear seat bottom left, 1965-72	\$310.00	
P224R	Rear seat bottom right, 1965-72	\$310.00	
P225	Rear lid hinge bracket	\$36.00	
P227	Parcel shelf / Heel panel interior bracket	\$27.00	
P228R	Floor board mount, right	\$22.00	14
P230	Front latch support panel with lip 1967-73	\$638.50	11
P230A	Front latch support panel 1965-67	\$455.00	
P230B	Front latch support panel with hole for washer tank 1968-73	\$455.00	
P231	Front lip only 1965-73	\$124.00	10
P232	Front latch support panel, 1974-89	\$328.00	
P233	Front lip only 1974-89	\$45.00	
P249	Engine Bay Channel, must be bent to fit (40 inches)	\$28.00	21
P260L	Rocker panel support, left 1965-89	\$42.00	27
P260R	Rocker panel support, right 1965-89	\$42.00	
P280L	Longitudinal/wheelhouse repair panel, left	\$281.00	26
P280R	Longitudinal/wheelhouse repair panel, right	\$281.00	
P285	Rear crossmember latch panel 1965-83	\$685.00	19
P286	Heel panel	\$126.00	17
P287	Rear license panel 1965-73	\$125.00	20
P287A	Rear license panel, aluminum 1970-72 911S	\$115.00	

911/912 EXTERIOR PART LIST

VIEW THE TABLE & CHART BELOW:

Note: Not all parts are displayed on this diagram - see the table below for a full list of parts we stock.



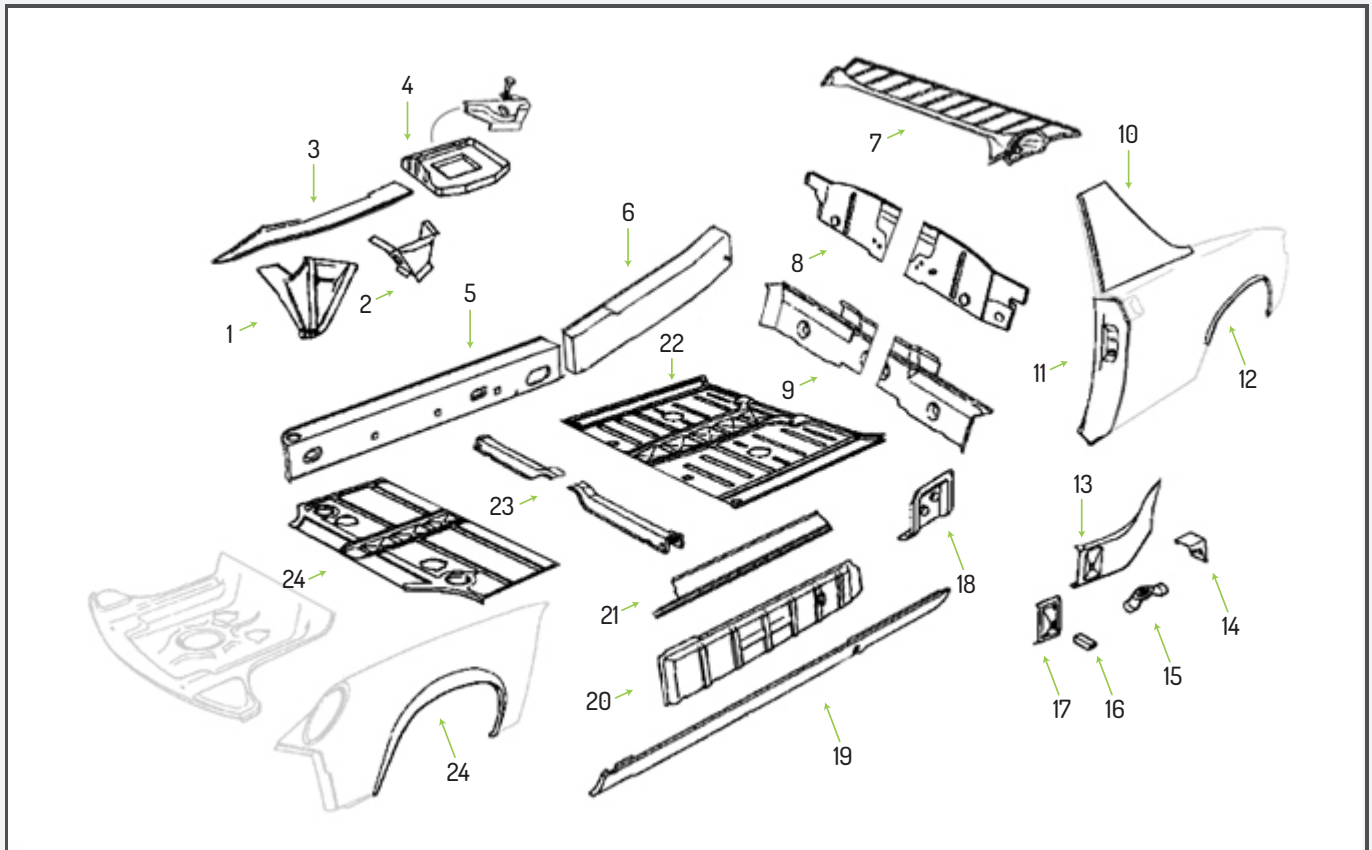
Part #	Description	Price USD	Diagram #
P205L	Door bottom, left	\$79.00	
P205R	Door bottom, right	\$79.00	
P206L	Battery box, left 1969-73	\$175.00	
P206R	Battery box, right 1969-73	\$175.00	
P207L	Fender joining panel, left 1965-89	\$99.00	20
P207R	Fender joining panel, right 1965-89	\$99.00	
P208L	Door skin, left	\$305.00	18
P208R	Door skin, right	\$305.00	
P209L	Door skin lower 6" panel, left	\$44.00	17
P209R	Door skin lower 6" panel, right	\$44.00	
P210L	Door lock post, left	\$86.00	12
P210R	Door lock post, right	\$86.00	
P211L	Front of rear fender, left	\$86.00	11
P211R	Front of rear fender, right	\$86.00	
P212L	Outer rocker panel, left 1965-73	\$104.00	16
P212R	Outer rocker panel, right 1965-73	\$104.00	
P212AL	Outer rocker panel, left 1974-89	\$220.00	
P212AR	Outer rocker panel, right 1974-89	\$220.00	

Part #	Description	Price USD	Diagram #
P226L	Rear window corner replacement, left	\$60.00	9
P226R	Rear window corner replacement, right	\$60.00	
P229L	Rear quarter panel 1968-73, left	\$1177.00	10
P229R	Rear quarter panel 1968-73, right	\$1177.00	
P240	Headlight bucket 1965-68 (L or R)	\$147.00	4
P242L	Headlight bucket, left 1969-73	\$147.00	
P242R	Headlight bucket, right 1969-73	\$147.00	
P243L	Headlight bucket, left 1974-86 (fits early models)	\$105.00	
P243R	Headlight bucket, right 1974-86 (fits early models)	\$105.00	
P250L	Windshield post cowl repair panel, left	\$139.00	8
P250R	Windshield post cowl repair panel, right	\$139.00	
P255L	Door hinge post, left 1966-89	\$290.00	19
P255R	Door hinge post, right 1966-89	\$290.00	
P270L	Fender flare front, left Turbo	\$300.00	1
P270R	Fender flare front, right Turbo	\$300.00	
P271L	Fender flare rear, left Turbo (early style)	\$300.00	15
P271R	Fender flare rear, right Turbo (early style)	\$300.00	
P272L	Fender flare rear, left SC/Carrera 1978-89	\$565.00	
P272R	Fender flare rear, right SC/Carrera 1978-89	\$565.00	
P275L	Rocker panel cover, left Turbo	\$497.78	
P275R	Rocker panel cover, right Turbo	\$497.78	
P278L	Lower fender panel, left Turbo	\$133.50	13
P278R	Lower fender panel, right Turbo	\$133.50	
P281	Torsion bar cover and seal	\$18.25	14
P282L	Torsion bar cover, left late model Turbo	\$21.50	
P282R	Torsion bar cover, right late model Turbo	\$21.50	
P289	Rear reflector panel 1974-89	\$143.75	
P289C	Plastic reflector, clip on with red lettering 1987-89	\$378.71	
P290	Rear valance panel 1974-89	\$124.50	
P291L	Fog light delete, left 1967-73 (bracket included)	\$78.00	
P291R	Fog light delete, right 1967-73 (bracket included)	\$78.00	
P292	Front valance panel 1974-83 (no fogs)	\$195.00	5
P293	Front valance panel 1984-89 (with fogs)	\$195.00	
P295L	Angle plate for front wheelhouse, left 1965-73	\$34.50	2
P295R	Angle plate for front wheelhouse, right 1965-73	\$34.50	
P296L	Left front fender 1974-89	\$1475.00	7
P296R	Right front fender 1974-89	\$1475.00	6
P297L	Left front fender 1970-74	\$1475.00	
P297R	Right front fender 1970-74	\$1475.00	
P298L	Left Front Fender signal light box 1965-68	\$325.00	3
P298R	Right Front Fender signal light box 1965-68	\$325.00	

914 CHASSIS & EXTERIOR PART LIST

VIEW THE TABLE & CHART BELOW:

Note: Not all parts are displayed on this diagram - see the table below for a full list of parts we stock.



Part #	Description	Price USD	Diagram #
P300L	Outer rocker panel, left side	\$160.00	19
P300R	Outer rocker panel, right side	\$160.00	
P301L	Inner rocker panel, left	\$145.00	20
P301R	Inner rocker panel, right	\$145.00	
P302	Jack receiver plate	\$19.00	17
P303	Jack receiver tube	\$18.00	16
P304L	Roof pillar panel, left	\$130.00	10
P304R	Roof pillar panel, right	\$130.00	
P308L	Door threshold sill, left	\$92.00	21
P308R	Door threshold sill, right	\$92.00	
P311	E-brake cable guide	\$32.00	
P312	Trunk hinge bracket with bolt	\$33.50	15

Part #	Description	Price USD	Diagram #
P313	Seat hinge bracket riser (1972-76)	\$20.00	
P315	Battery Clamp	\$8.00	4
P316	Battery Tray	\$60.00	4
P317	Battery Support	\$35.00	2
P318	Suspension console	\$235.00	1
P319	Engine tray for use with suspension console	\$187.00	3
P325L	Inner firewall, left side	\$125.00	9
P325R	Inner firewall, right side	\$110.00	
P326	Outer firewall, lower 5"	\$147.00	8
P326L	Outer firewall, left side	\$80.00	
P326R	Outer firewall, right side	\$80.00	
P330	Inner wheelhouse, upper right	\$115.00	
P331	Inner wheelhouse, lower right	\$160.00	13
P335	Rear trunk floor pan	\$195.00	7
P341	Seat mount reinforcement, 2 per floor rear pan	\$26.00	
P342L	Rear floor jack point, left	\$75.00	
P342R	Rear floor jack point, right	\$75.00	
P343	Engine lid hinge bracket	\$25.50	14
P344	Floor pan, front half	\$195.00	24
P345	Floor pan, rear half	\$195.00	22
P345B	Short rear floor pan	\$105.00	
P345BL	Short rear floor pan, left	\$53.00	
P345BR	Short rear floor pan, right	\$53.00	
P346L	Frame stiffener, left overlays longitudinal	\$205.00	
P346R	Frame stiffener, right overlays longitudinal	\$205.00	
P347	Seat Hinge	\$24.00	
P348	Jacking Donut	\$36.00	
P349	Emergency brake pivot	\$68.00	18
P350	Engine bay channel, must be bent (40 inches)	\$28.00	
P351	Inner longitudinal member, engine compartment	\$300.00	6
P352	Inner longitudinal member, passenger compartment	\$300.00	5
P353L	Door jam, left	\$130.00	11
P353R	Door jam, right	\$130.00	
P354	Sill Triangle	\$24.00	
P355L	Cross member repair, left	\$105.00	23
P355R	Cross member repair, right	\$105.00	
P357	Pedal support bracket	\$36.00	
P358	Muffler bracket, 1.7 litre	\$42.00	
P359	GT flare, set of 4	\$995.00	12/24